

TC-K611S/K707ES/K711S

SERVICE MANUAL



Photo: TC-K611S

US Model
Canadian Model
 TC-K611S/K707ES
AEP Model
 TC-K611S/K711S
UK Model
 TC-K611S
E Model
 TC-K707ES
Australian Model
 TC-K611S/K707ES

Dolby noise reduction manufactured under license from Dolby Laboratories Licensing Corporation. "DOLBY" and the double-D symbol $\square\square$ are trademarks of Dolby Laboratories Licensing Corporation.

Model Name Using Similar Mechanism	TC-K679ES/K690	
Tape Transport Mechanism Type	TC-K611S	TCM-200V15
	TC-K707ES	TCM-200V16
	TC-K711S	TCM-200V17

SPECIFICATIONS

Recording system 4-track 2-channel stereo
 Fast winding time Approx. 90 sec. (with Sony C-60 cassette)
 Bias AC bias
 Heads Erasing head \times 1
 (TC-K707ES/K711S: S&F head, K611S: F&F head)
 Recording head \times 1 (SD head)
 Playback head \times 1
 (TC-K611S/K711S: SD head, K707ES: LA head)
 Motors Capstan motor \times 1 (DC servo motor)
 Reel motor \times 1 (DC motor)
 Assist (mechanism drive) motor \times 1 (DC motor)

Signal-to-noise ratio (at peak level and weighted)

Cassette (Dolby NR off)	Type IV (Sony ES-IV)	Type II (Sony UX-S or UX)	Type I (Sony HF-S)
	61 dB	59 dB	57 dB

S/N ratio improvement (approximate values)

With Dolby B NR on : 5 dB at 1 kHz; 10 dB at 5 kHz
 With Dolby C NR on : 15 dB at 500 Hz; 20 dB at 1 kHz
 With Dolby S NR on : 10 dB at 100 Hz; 24 dB at 1 kHz

Harmonic distortion 0.4% (with Sony HF-S, 160 nWb/m, 315 Hz, 3rd H.D.)
 1.5% (with Sony ES-IV, 250 nWb/m, 315 Hz, 3rd H.D.)

Frequency response (Dolby NR off)

Type IV cassette (Sony ES-IV)	TC-K707ES: 20—21,000Hz (\pm 3dB, IEC) TC-K611S/K711S: 20—20,000Hz (\pm 3dB, IEC) 20—16,000Hz [\pm 3dB (-4dB recording)]
Type II cassette (Sony UX-S or UX)	TC-K707ES: 20—19,000Hz (\pm 3dB, IEC) TC-K611S/K711S: 20—18,000Hz (\pm 3dB, IEC)
Type I cassette (Sony HF-S)	20—17,000 Hz (\pm 3 dB, IEC)

Wow and flutter \pm 0.09% W.Peak (IEC)
 0.05% W.RMS (NAB)
 \pm 0.14% W.Peak (DIN)

Inputs

Line inputs (phono jacks)	Sensitivity	0.16 V
	Input impedance	47 k ohms

Outputs

Line outputs (phono jacks)	Rated output level	0.5 V at a load impedance of 47 k ohms
	Load impedance	Over 10 k ohms
Headphones (stereo phone jack)	Output level	0 - 3 mW at a load impedance of 32 ohms

—Continued on next page—

STEREO CASSETTE DECK
SONY®

SAFETY CHECK-OUT

General

Power requirements	US, Canadian model: 120V AC, 60Hz AEP, German model: 220—230V AC, 50/60Hz UK, Australian model: 240V AC, 50Hz E model: 120V, 220V, and 240V AC adjustable, 50/60Hz
Power consumption	21 W
Dimensions	Approx. 430 × 123 × 306 mm (w/h/d) (17 × 4 ⁷ / ₈ × 12 ¹ / ₈ inches) including projecting parts and controls
Mass	TC-K707ES/K711S: Approx. 5.0kg (11 lbs 1 oz) TC-K611S: Approx. 4.8kg (10 lbs 10 oz)

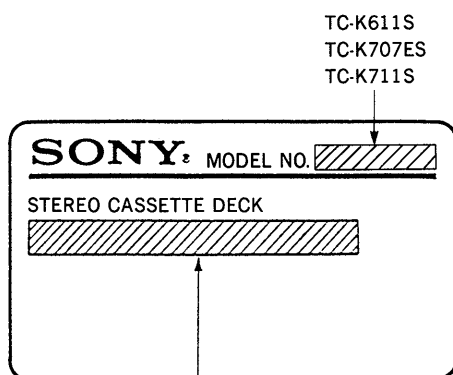
Supplied accessories

Audio connecting cords (2)

Design and specifications are subject to change without notice.

MODEL IDENTIFICATION

—Specification Label—



US, Canadian model	: AC 120V 60Hz 21W
AEP, German model	: AC 220—230V~50/60Hz 21W
UK, Australian model	: AC 240V~50/60Hz
E model	: AC 120, 220, 240V~50/60Hz 21W

After correcting the original service problem, perform the following safety check before releasing the set to the customer:

Check the antenna terminals, metal trim, “metallized” knobs, screws, and all other exposed metal parts for AC leakage. Check leakage as described below.

LEAKAGE TEST

The AC leakage from any exposed metal part to earth ground and from all exposed metal parts to any exposed metal part having a return to chassis, must not exceed 0.5 mA (500 microamperes). Leakage current can be measured by any one of three methods.

1. A commercial leakage tester, such as the Simpson 229 or RCA WT-540A. Follow the manufacturers' instructions to use these instruments.
2. A battery-operated AC milliammeter. The Data Precision 245 digital multimeter is suitable for this job.
3. Measuring the voltage drop across a resistor by means of a VOM or battery-operated AC voltmeter. The “limit” indication is 0.75 V, so analog meters must have an accurate low-voltage scale. The Simpson 250 and Sanwa SH-63Trd are examples of a passive VOM that is suitable. Nearly all battery operated digital multimeters that have a 2V AC range are suitable. (See Fig. A)

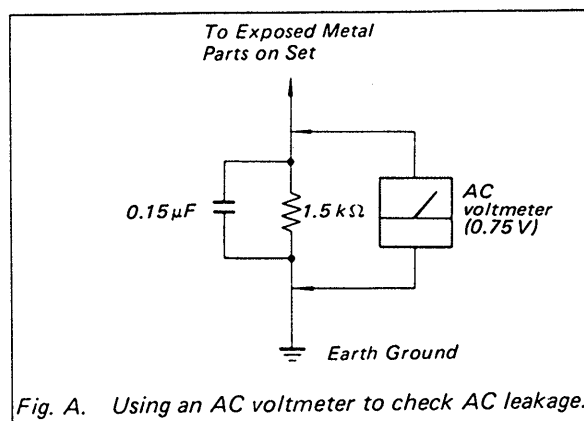


Fig. A. Using an AC voltmeter to check AC leakage.

SAFETY-RELATED COMPONENT WARNING!!

COMPONENTS IDENTIFIED BY MARK \triangle OR DOTTED LINE WITH MARK \triangle ON THE SCHEMATIC DIAGRAMS AND IN THE PARTS LIST ARE CRITICAL TO SAFE OPERATION. REPLACE THESE COMPONENTS WITH SONY PARTS WHOSE PART NUMBERS APPEAR AS SHOWN IN THIS MANUAL OR IN SUPPLEMENTS PUBLISHED BY SONY.

ATTENTION AU COMPOSANT AYANT RAPPORT À LA SÉCURITÉ!

LES COMPOSANTS IDENTIFIÉS PAR UNE MARQUE \triangle SUR LES DIAGRAMMES SCHÉMATIQUES ET LA LISTE DES PIÈCES SONT CRITIQUES POUR LA SÉCURITÉ DE FONCTIONNEMENT. NE REMPLACER CES COMPOSANTS QUE PAR DES PIÈCES SONY DONT LES NUMÉROS SONT DONNÉS DANS CE MANUEL OU DANS LES SUPPLÉMENTS PUBLIÉS PAR SONY.

TABLE OF CONTENTS

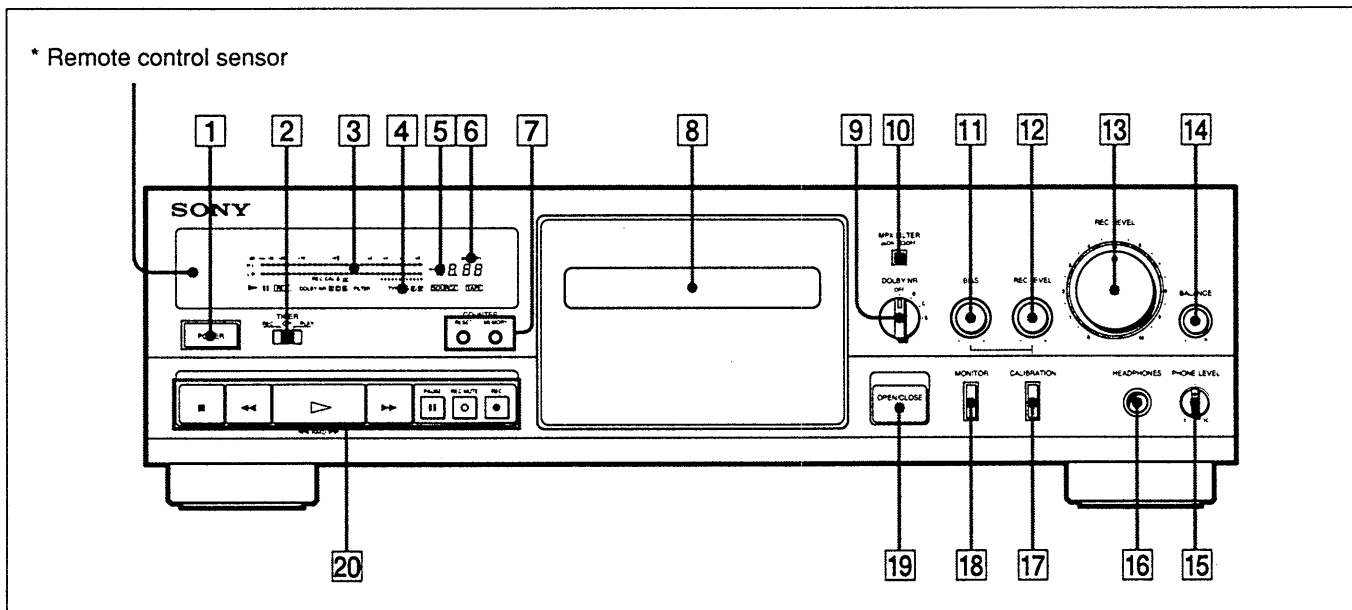
<u>Section</u>	<u>Title</u>	<u>Page</u>
1. GENERAL		
	Identifying the Parts	4
2. DISASSEMBLY		
2-1.	Mechanism Block	5
2-2.	Cassette Holder	5
2-3.	Ornamental Plate	6
2-4.	Capstan Motor/Flywheel (TC-K707ES, K711S).....	6
2-5.	Capstan Motor/Flywheel (TC-K611S)	7
2-6.	Reel and Assist Motors	8
3. MECHANICAL ADJUSTMENTS	9
4. ELECTRICAL ADJUSTMENTS	12
5. DIAGRAMS		
5-1.	Circuit Boards Location	16
5-2.	Printed Wiring Boards—Main Section—	17
5-3.	Schematic Diagram—Audio Section—	21
5-4.	Schematic Diagram—System Control Section—.....	25
5-5.	Schematic Diagram—Dolby S Section—	29
5-6.	Printed Wiring Board—Dolby S Section—	31
5-7.	Semiconductor Lead Layouts	32
6. EXPLODED VIEWS		
6-1.	Front Panel Section	33
6-2.	Chassis Section.....	34
6-3.	Mechanism Section 1 (TCM-200V15: TC-K611S) ..	35
6-4.	Mechanism Section 2 (TCM-200V15: TC-K611S) ..	36
6-5.	Mechanism Section 3 (TCM-200V16: TC-K707ES) (TCM-200V17: TC-K711S)	37
6-6.	Mechanism Section 4 (TCM-200V16: TC-K707ES) (TCM-200V17: TC-K711S)	38
7. ELECTRICAL PARTS LIST	39

SECTION 1 GENERAL

This section is extracted from instruction manual.

Identifying the Parts

Front Panel



For details, refer to the page number(s) indicated in parentheses.

- 1 POWER switch
- 2 TIMER switch (page 16)
- 3 Peak level meter (page 13)
- 4 Tape TYPE indicator
- 5 Linear counter (page 10)
- 6 MEMORY indicator
- 7 COUNTER buttons
RESET button (page 10)
MEMORY button (pages 9 and 10)
- 8 Cassette holder
- 9 DOLBY NR (noise reduction) switch (pages 7 and 11)
- 10 MPX FILTER button (page 13)
- 11 BIAS control (pages 14 and 15)
- 12 REC (recording) LEVEL control for calibration (pages 14 and 15)
- 13 REC (recording) LEVEL control (pages 11 and 13)
- 14 BALANCE control (page 11)
- 15 PHONE (headphones) LEVEL control (page 7)
- 16 HEADPHONES jack (stereo phone jack) (page 7)
- 17 CALIBRATION button (page 14)
- 18 MONITOR button (page 13)
- 19 OPEN/CLOSE button
- 20 Tape operation buttons
 - (stop) button
 - ◀◀ (rewind) (Multi-AMS**) button
 - ▶▶ (play) button
 - ▶▶ (fast-forward) (Multi-AMS**) button
 - || PAUSE button
 - REC MUTE (record muting) button (page 16)
 - REC (recording) button

* Remote control sensor

You can remotely control this cassette deck with:

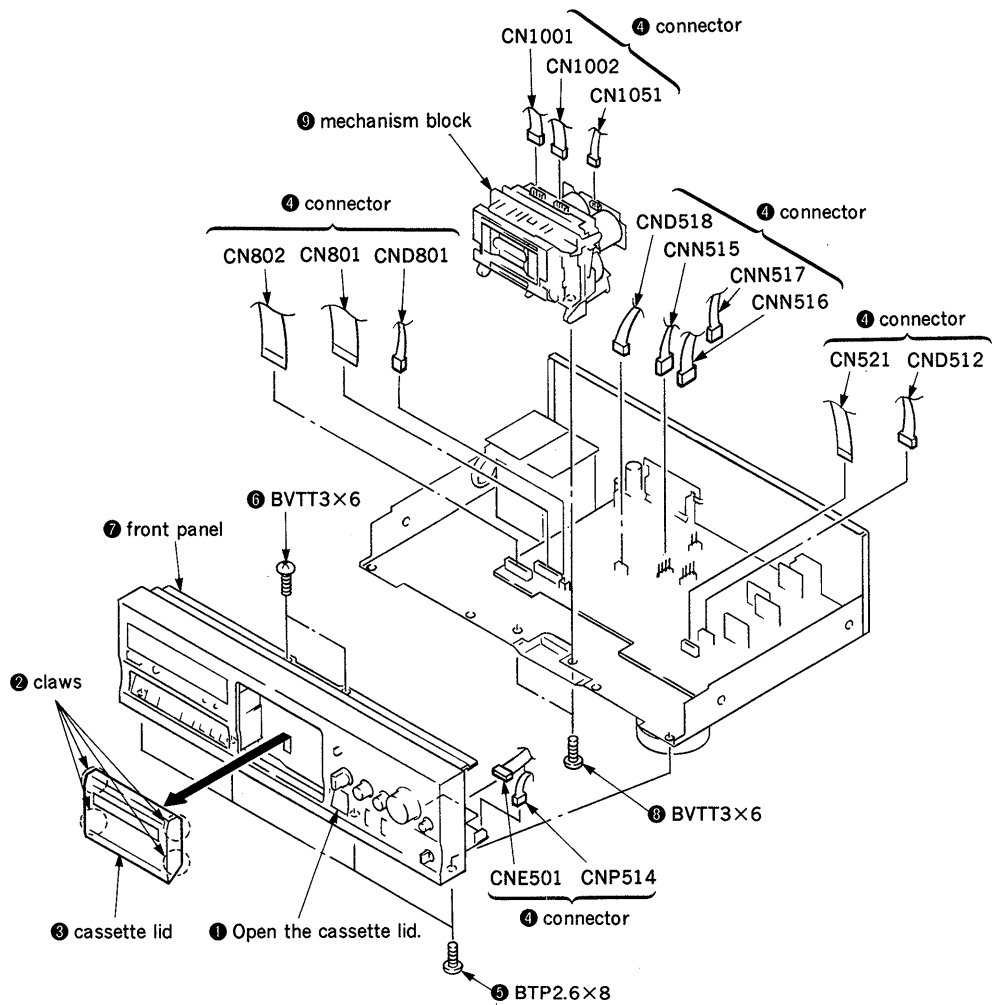
- A remote commander that came with a Sony amplifier or receiver if it has the mark and cassette deck control capability.
- An optional Sony remote commander with the mark and cassette deck control capability.

**AMS is an abbreviation for Automatic Music Sensor.

SECTION 2 DISASSEMBLY

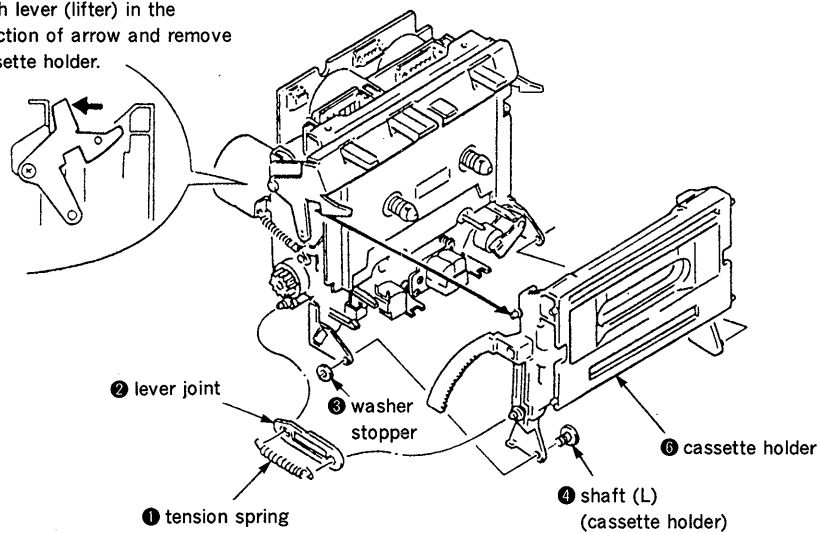
Note: Follow the disassembly procedure in the numerical order given.

2-1. MECHANISM BLOCK



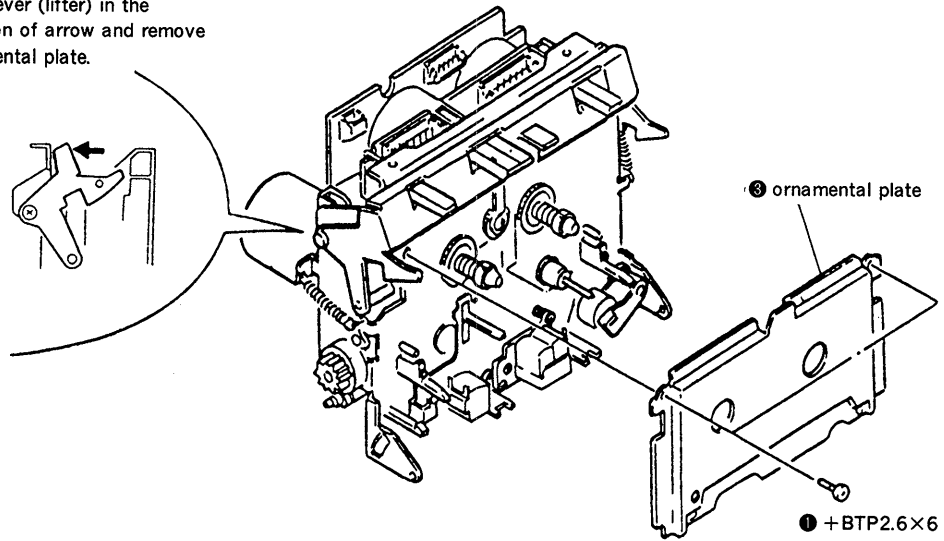
2-2. CASSETTE HOLDER

5 Push lever (lifter) in the direction of arrow and remove cassette holder.

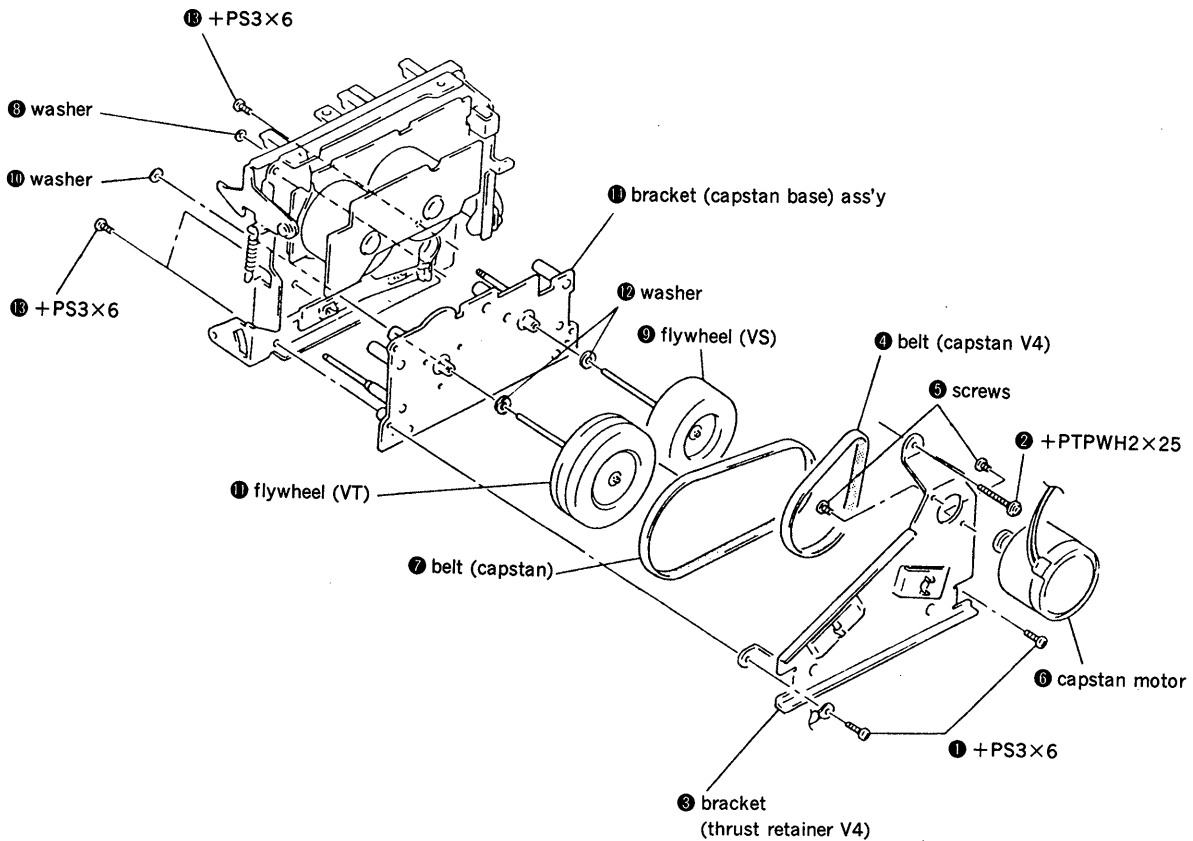


2-3. ORNAMENTAL PLATE

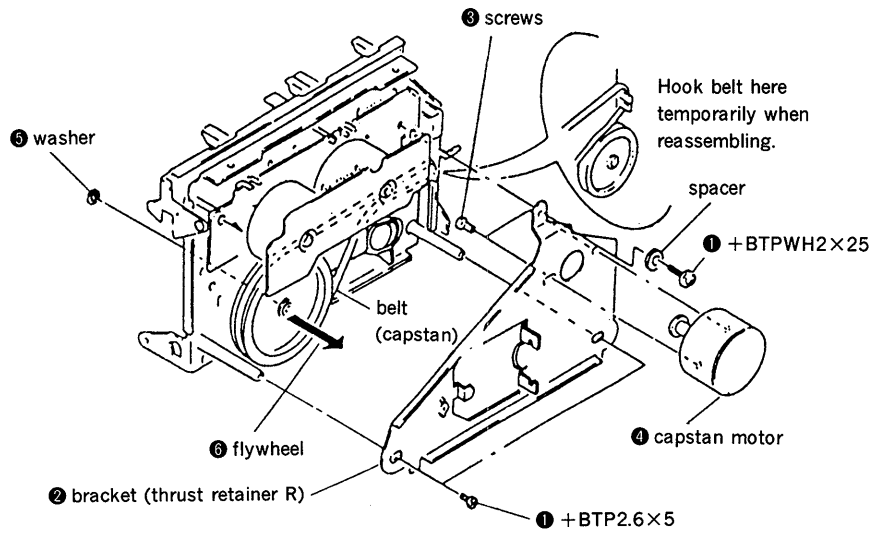
② Push lever (lifter) in the direction of arrow and remove ornamental plate.



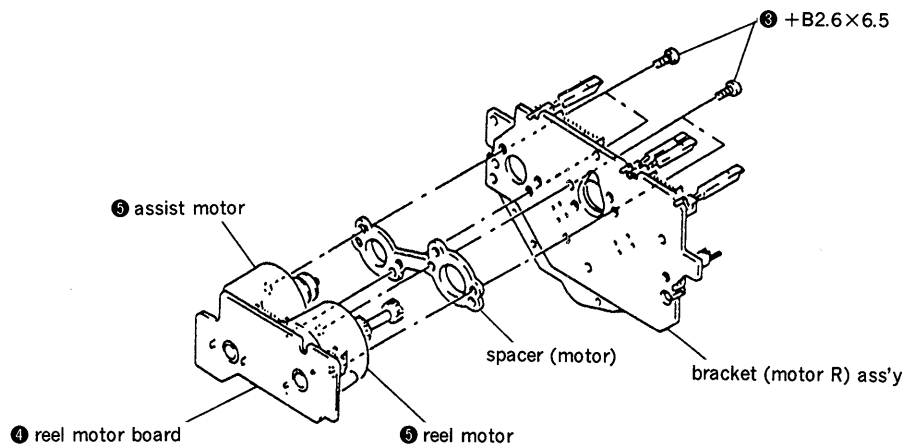
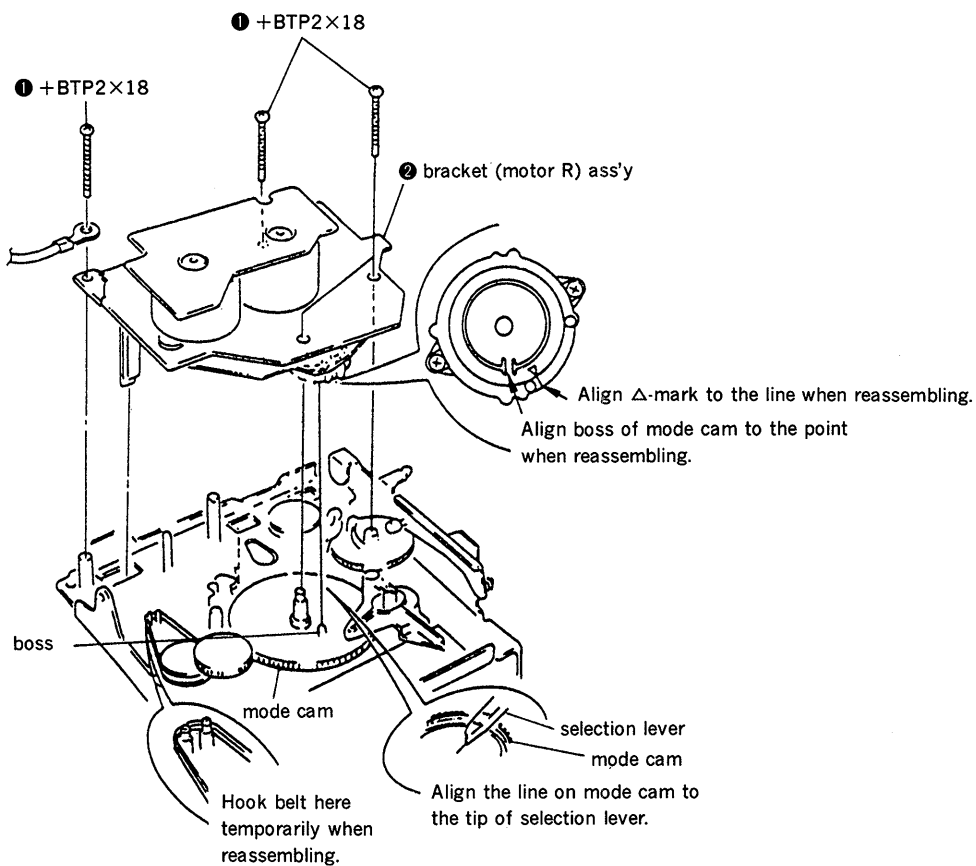
2-4. CAPSTAN MOTOR/FLYWHEEL (TC-K707ES/K711S)



2-5. CAPSTAN MOTOR/FLYWHEEL (TC-K611S)



2-6. REEL AND ASSIST MOTORS



SECTION 3 MECHANICAL ADJUSTMENTS

PRECAUTION

1. Clean the following parts with a denatured-alcohol-moistened swab :

record/playback head	pinch roller
erase head	rubber belts
capstan	idler
2. Demagnetize the record/playback head with a head demagnetizer.
3. Do not use a magnetized screwdriver for the adjustments.
4. After the adjustments, apply suitable locking compound to the parts adjusted.

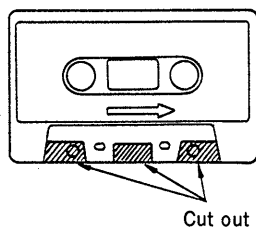
Tape Path Adjustment

Note: When using the adjustment methods for other than replacement reasons, please do not tamper unnecessarily with the adjustment screws or the erase head because either the supply pinch roller guide or the record/playback head will be made the standard tape paths. Moreover, when it is necessary to adjust and replace two or more of any of the heads and/or pinch rollers, replace them one by one, completely taking out the first tape path, and then replacing the second one.

Preparation :

1. Mirror cassette CQ009C 8-909-708-01
(or CQ012C 8-909-708-02)

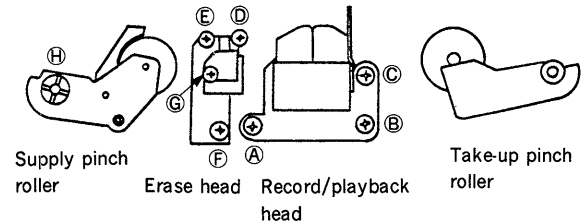
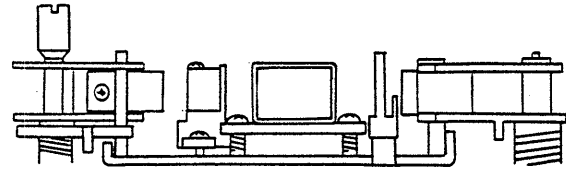
If one does not have this, cut out the sections of a 120-minute cassette shell as indicated below and use that cassette.



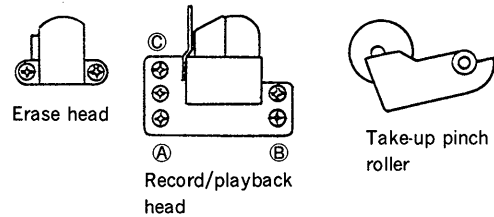
2. Phillips screwdriver (medium-size) :
For the head adjustment screws
Blade-type screwdriver (large-size) :
For the supply pinch roller adjustment screws
3. Pen light
4. WS-48B (3kHz, 0 dB)
5. P-4-A100 (10kHz, -10dB)

Adjustment Position : As seen from the cassette, side (top) and MD as seen head on (bottom).

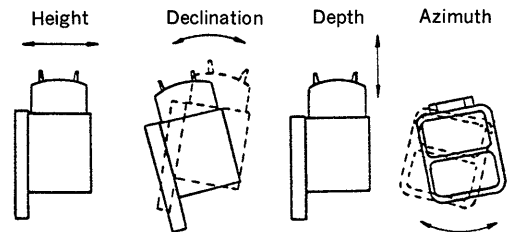
TC-K707ES/K711S :



TC-K611S :



Definition of Terms : The figures are of a record/playback head.



Adjustment Method :

Supply Pinch Roller

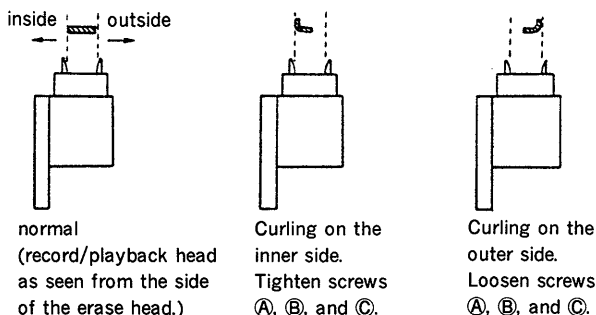
Note : Only perform this adjustment when the supply pinch roller is to be replaced.

1. Insert the mirror cassette and put the unit in record/playback mode.
2. Check to see whether the tape is curling at the record/playback head guide or the pinch roller guide.
If it is curling, remove the curl by adjusting the ④ tape curl adjustment screw. Then, check that the tape is running past the middle of the erase head.

Record/playback Head

Note : Only perform this adjustment when the record/playback head is to be replaced.

1. Insert the mirror cassette and put the unit in record/playback mode.
2. **(Height Adjustment)** Check to see if the tape is curling at the tape guide of the head. If it is curling, tighten screws ①, ②, and ③, respectively by the same angle, moving the head so that it remains at the same angle through out the procedure. If it curls on the bottom side of the mirror cassette (actually the inner side), tighten all the screws equally ; but loosen them if the tape begins to curl on the top side (outer side).

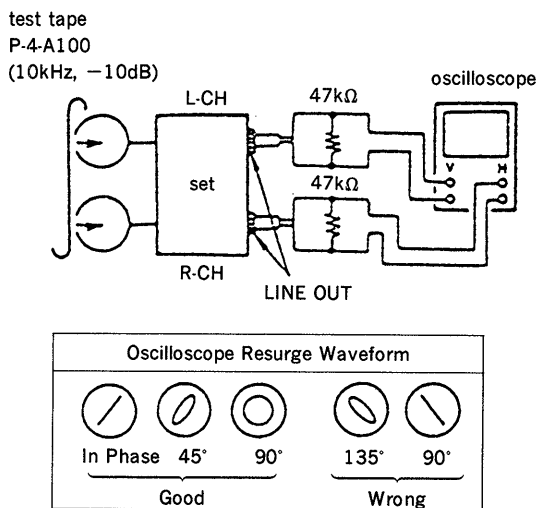


3. **(Declination Adjustment)** While in the record/playback position, set the back tension to 0 (wind the supply reel with something thin like a pencil in a counterclockwise direction) and make sure there is no curling or shifting (shifting up/shifting down) at the guide of the record/playback head.

Because shifting can only occur due to a difference in the width of the tape and that of the tape guides (curling will otherwise occur), it is necessary to pay close attention since it can be easily overlooked.

When there is a shift, tighten screws ② and ③ equally and change the declination of the head. If the tape is shifting up, tighten the screws, and if it is shifting down, loosen them.

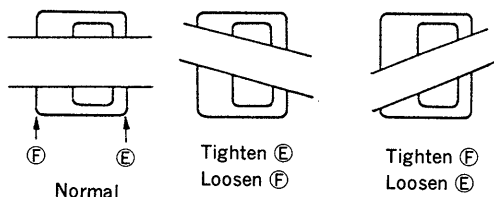
4. Repeat the adjustments in steps 2 and 3 and fine adjust the height and the declination.
5. **(Preliminary Azimuth Adjustment)**
After demagnetizing and cleaning the adjustment head, playback WS-48B (3kHz, 0dB).
Turn screw ④ so that the reading on the level meter of the unit or that of the level meter connected to LINE OUT is maximized.
If the screw is turned at least half a revolution, repeat the adjustments from step 1.
6. **(Tape Path Check)** Connect the oscilloscope to LINE OUT and play back P-4-A100 (10kHz, -10dB) to display a resurge waveform. After 20 seconds of record/playback (after the tension within the loop has been increased sufficiently), make sure the variation in the resurge is within ± 90 degrees (within ± 45 degrees is desired).
If the declination and /or the height adjustment is not perfect. Repeat the adjustments from step 1.



Erase Head

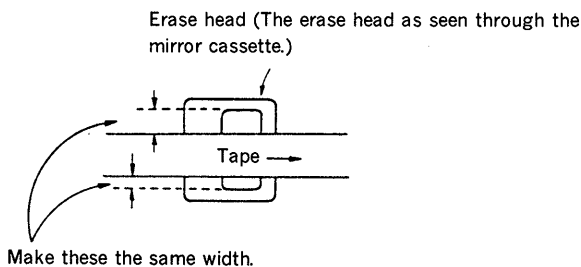
Note: Only perform this adjustment when the erase head is to be replaced.

1. Insert the mirror cassette and put the unit in record/playback mode.
2. (**Azimuth Adjustment**) Adjust the azimuth of the erase head by adjusting screws ⑤ and ⑥ so that the tape runs as evenly as possible.



(The erase head as seen when erasing the mirror cassette.)

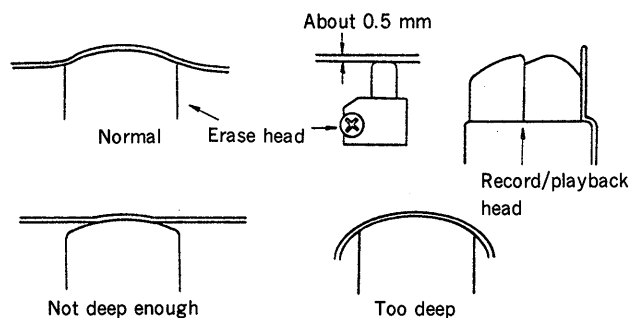
3. (**Height adjustment**) Turn screws ④, ⑤, and ⑥ all by the same angle so that the portions of the erase head visible at top and bottom are nearly of equal width. If the width at the top is greater, tighten the screws; if the width at the bottom is greater, loosen the screws.



4. (**Declination Adjustment**) Leaving it in the playback position, put the back tension to 0 and make certain the erase head part and supply pinch roller guide part do not shift. If there is a shift, turn the screw ⑦ and change the declination.

Looking at it using the mirror cassette, if the tape shifts up, tighten the screw, and if it shifts down, loosen the screw.

5. Repeat the adjustments beginning with step 2 and fine adjust the height and declination. And make sure the tape does not curl up on the pinch roller guide or the guide part of the record/playback head.
6. (**Depth Adjustment**) In order to make the entire head play the tape smoothly, and to make sure the depth of the erase head is neither too shallow nor too deep, loosen screw ③ a bit.



Check

1. Check to make sure that there are no curls or shifts through out the whole tape path and that the tape runs smoothly.
2. Reapply the locking compound to the adjusted screws. (The locking compound should only be applied to screw ③ after the azimuth has been adjusted.)

Torque Measurement

Torque	Torque meter	Meter reading
FWD	CQ-102C	30—60g·cm (0.42—0.83 oz·inch)
FWD Back tension	CQ-102C	1—5g·cm (0.014—0.069 oz·inch) : TC-K611S 7—11 g·cm (0.097—0.153 oz·inch) : TC-K707ES/K711S
FF, REW	CQ-201B	65—90g·cm (0.90—1.25 oz·inch)

Pinch Roller Pressing Force Measurement

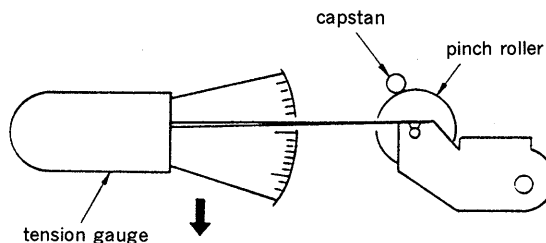
Mode : playback

Hook needle of the tension gauge to the pinch roller shaft and push back pinch roller to detach it from capstan. Then, return it gradually to capstan and read the gauge when the pinch roller begins turning.

Standard Limits :

210—310g (7.4—10.9 oz) : TC-K611S

Tape-up side : 270—350g (9.5—12.3 oz) } : TC-K707ES/
Supply side : 180—280g (6.4—9.9 oz) } K711S



SECTION 4 ELECTRICAL ADJUSTMENTS

Note: The adjustment should be performed in the order given in the service manual. As a rule, adjustments about playback should be performed before those about recording.

The adjustments should be performed before for both L-CH and R-CH.

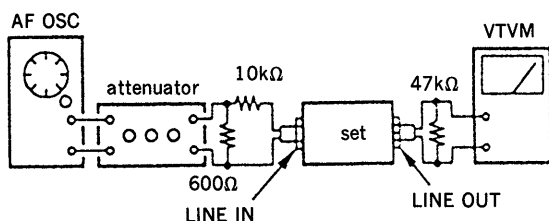
- Switches and controls should be set as follows unless otherwise specified.

DOLBY NR switch: OFF
MPX FILTER switch: OFF
MONITOR switch: Tape

- Standard Record:

Deliver the standard input signal level to the input jack and set the REC LEVEL control to obtain the standard output signal level.

—Record Mode—



0dB=775mV

Standard Input Level

input terminal	LINE IN
source impedance	10kΩ
input level	0.5V (-3.8dB)

Standard Output Level

output terminal	LINE OUT
load impedance	47kΩ
output level	0.5V (-3.8dB)

Test Tape

Type	Signal	Used for
P-4-A100	10kHz, -10dB	Azimuth Adjustment
P-4-L300	315Hz, 0dB	PB Level Adjustment
WS-48B	3kHz, 0dB	Tape Speed Adjustment

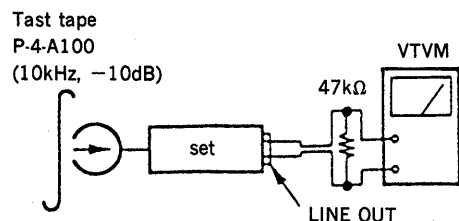
Test Mode

This set will get into test mode by shorting the pins of CNE702 (TEST) on MAIN board before turning the power on.

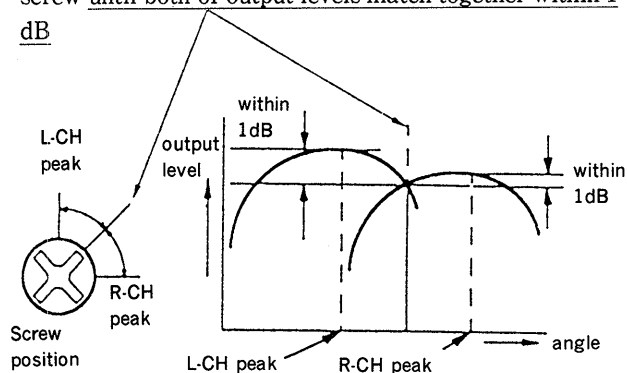
Record/Playback Head Azimuth Adjustment

Procedure:

- Mode: FWD playback



- Turn the adjustment screw for the maximum output levels. If these levels do not match, turn the adjustment screw until both of output levels match together within 1 dB



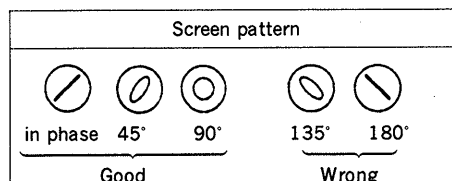
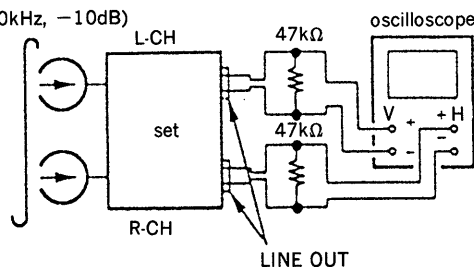
- Phase Check

Mode: playback

test tape

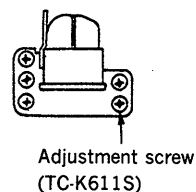
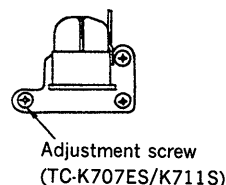
P-4-A100

(10kHz, -10dB)



- After the adjustment, lock the screws with locking compound.

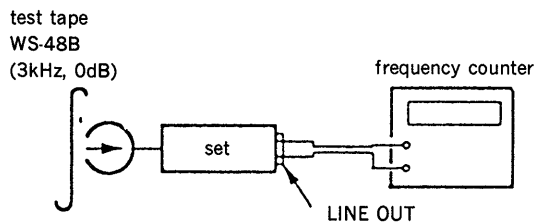
Adjustment Location: Record/Playback head



Tape Speed Adjustment

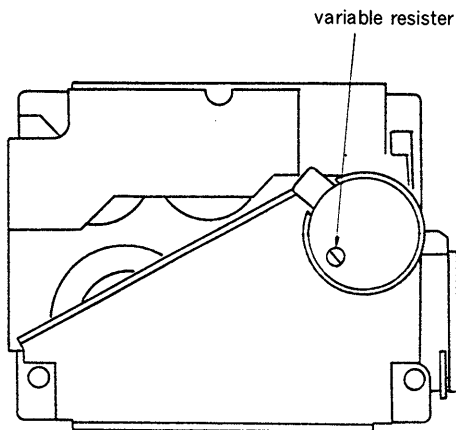
Procedure :

Mode : playback



1. Short the connector CNE702 (pins ① and ②). (test mode)
2. Set to FWD playback mode.
3. Adjust motor rear side (variable resistor) so that the frequency counter reading becomes $3,000 \pm 15\text{Hz}$.
4. After adjustment, open the connector CNE702.

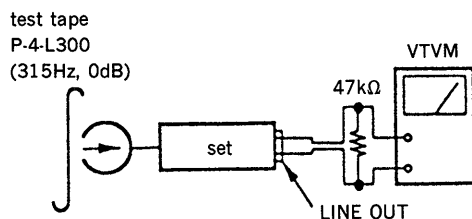
Adjustment Location : motor rear side (M1053)



Playback Level Adjustment

Procedure :

Mode : playback



Adjust RV121 (L-CH) and RV221 (R-CH) so that the reading on VTVM meets the adjustment limits below.

Adjustment Limits :

LINE OUT level : -8.2 to -7.2dB (0.301 to 0.338V)

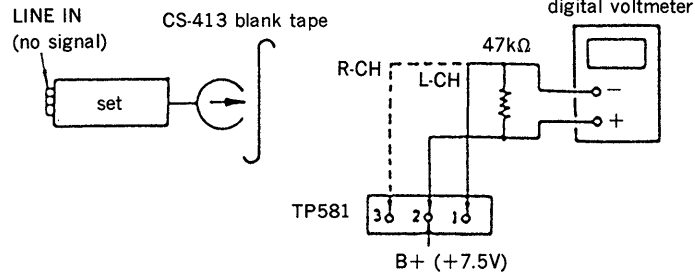
Level difference between channels : within 0.5dB

Check that the LINE OUT level does not change even if Playback and Stop operation is repeated several times.

Adjustment Location : MAIN board

Bias Consumption Current Adjustment

Procedure :



1. Set RV181 (L-CH) and RV281 (R-CH) to mechanical center and turn the set recording mode.
2. Connect digital voltmeter as shown by the following table.
3. Adjust the following transformers for the minimum readings on the digital voltmeter

	Mesurement Point	Adjustment Part	Value
L-CH	① and ②, TP581	T181	less than 200mV
R-CH	③ and ② TP581	T281	

Adjustment Location : MAIN board

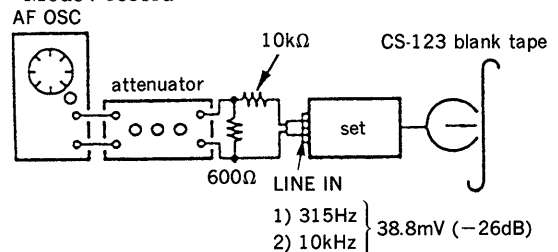
Record Bias Adjustment

Setting :

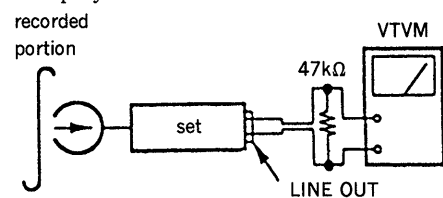
REC LEVEL control : Standard Record

Procedure :

1. Short the connector CNE702 (pins ① and ②). (test mode)
2. Mode : record



3. Mode : playback



4. Playback the signal recorded in step 1.
5. Confirm that the 10kHz playback output is $0 \pm 0.5\text{dB}$: (TC-K611S/K711S) or $0 \pm 0.3\text{dB}$: (TC-K707ES) relative to the 315Hz output. If necessary, adjust RV181 (L-CH) and RV281 (R-CH) for repeat the steps given above.
6. After adjustment, open the connector CNE702.

Adjustment Location : MAIN board

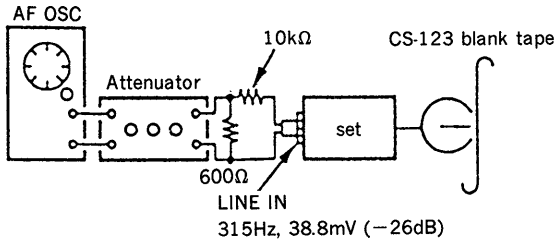
Record Level Adjustment

Setting :

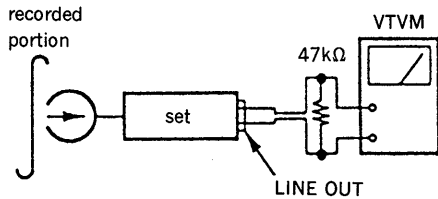
REC LEVEL control : Standard Record

Procedure :

1. Short the connector CNE702 (pins ① and ②). (test mode)
2. Mode : record



3. Mode : playback



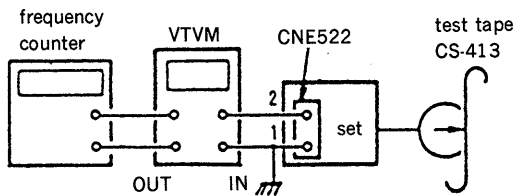
4. Playback the signal recorded in step 1.
5. Confirm that the signal level is within the adjustment limits below. If necessary, adjust RV141 (L-CH) and RV241 (R-CH) repeat the step 1 and 2.
6. After adjustment, open the connector CNE702.

Adjustment Limits : -26.5 to -25.5dB (36.7 to 41.1mV)

Adjustment Location : MAIN board

Erase Current Adjustment (TC-K707ES/K711S)

1. Mode : record



2. Adjust RV504 so that the reading on VTVM is 110mV (erase current=110mA.)
3. And then confirm that the reading on the frequency counter is 160kHz.

Adjustment Limits :

Erase current : 105 to 110mA

Frequency : 160 ± 6 kHz

Adjustment Location : MAIN board

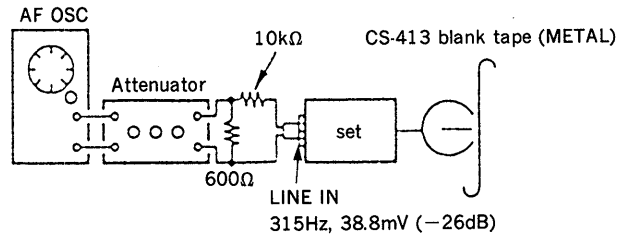
Record EQ (IV) Adjustment

Setting :

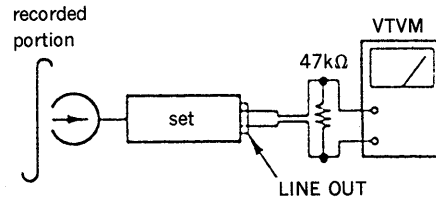
REC LEVEL control : Standard Record

Procedure :

1. Short the connector CNE702 (pins ① and ②). (test mode)
2. Mode : record



3. Mode : playback



4. Playback the signal recorded in step 1.
5. Adjust RV142 (L-CH) or RV242 (R-CH) so that the reading on VTVM meets the within 1dB for difference between L-CH and R-CH.
6. Adjust RV508 so that the R-CH meet the specification.
7. After adjustment, open the connector CNE702.

Adjustment Limits :

10kHz level difference against 315Hz reference.

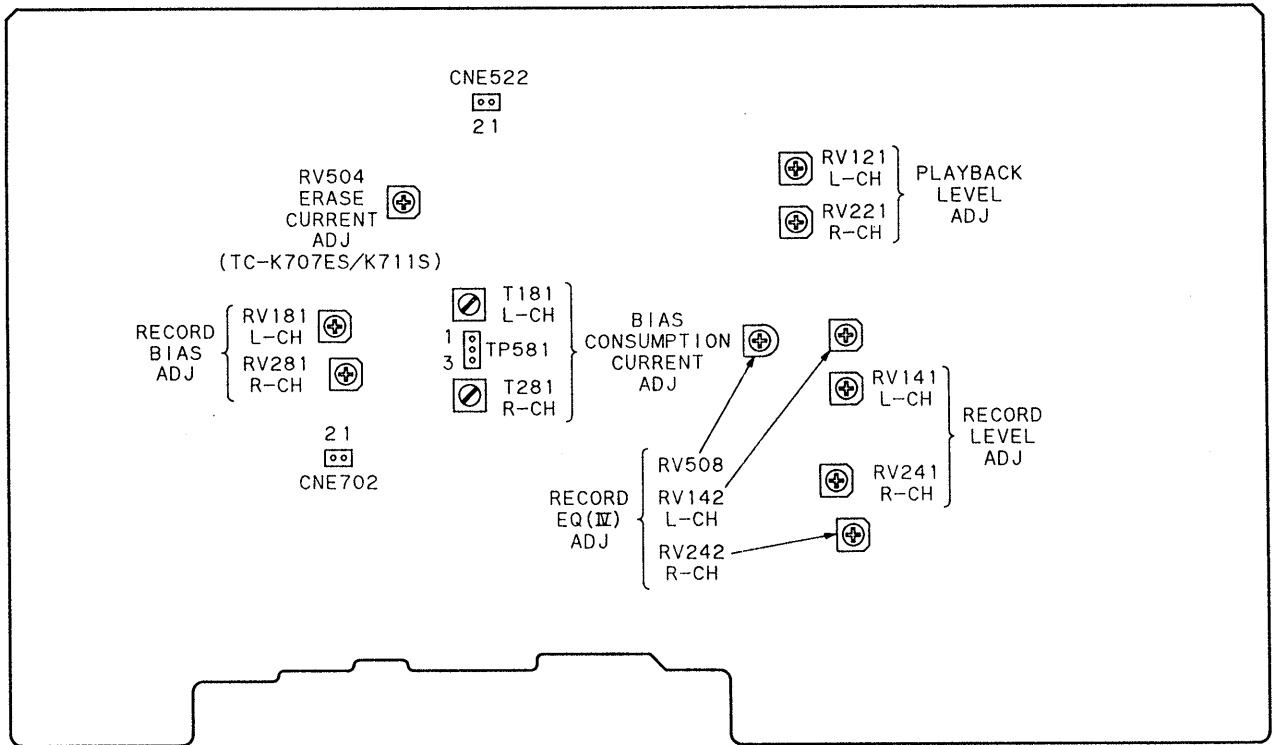
0 ± 0.3 dB : (TC-K707ES)

0 ± 0.5 dB : (TC-K611S/K711S)

Adjustment Location : MAIN board

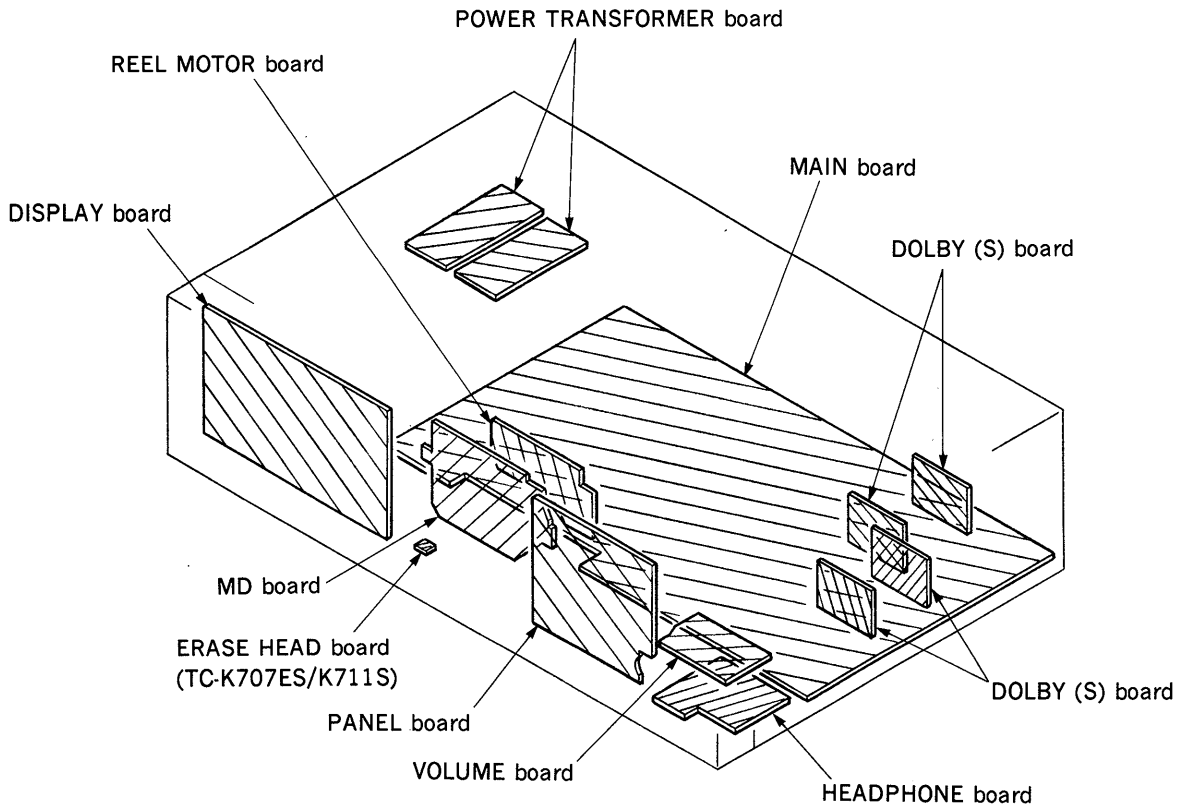
Adjustment Location :

[MAIN BOARD] (COMPONENT SIDE)



SECTION 5 DIAGRAMS

5-1. CIRCUIT BOARDS LOCATION

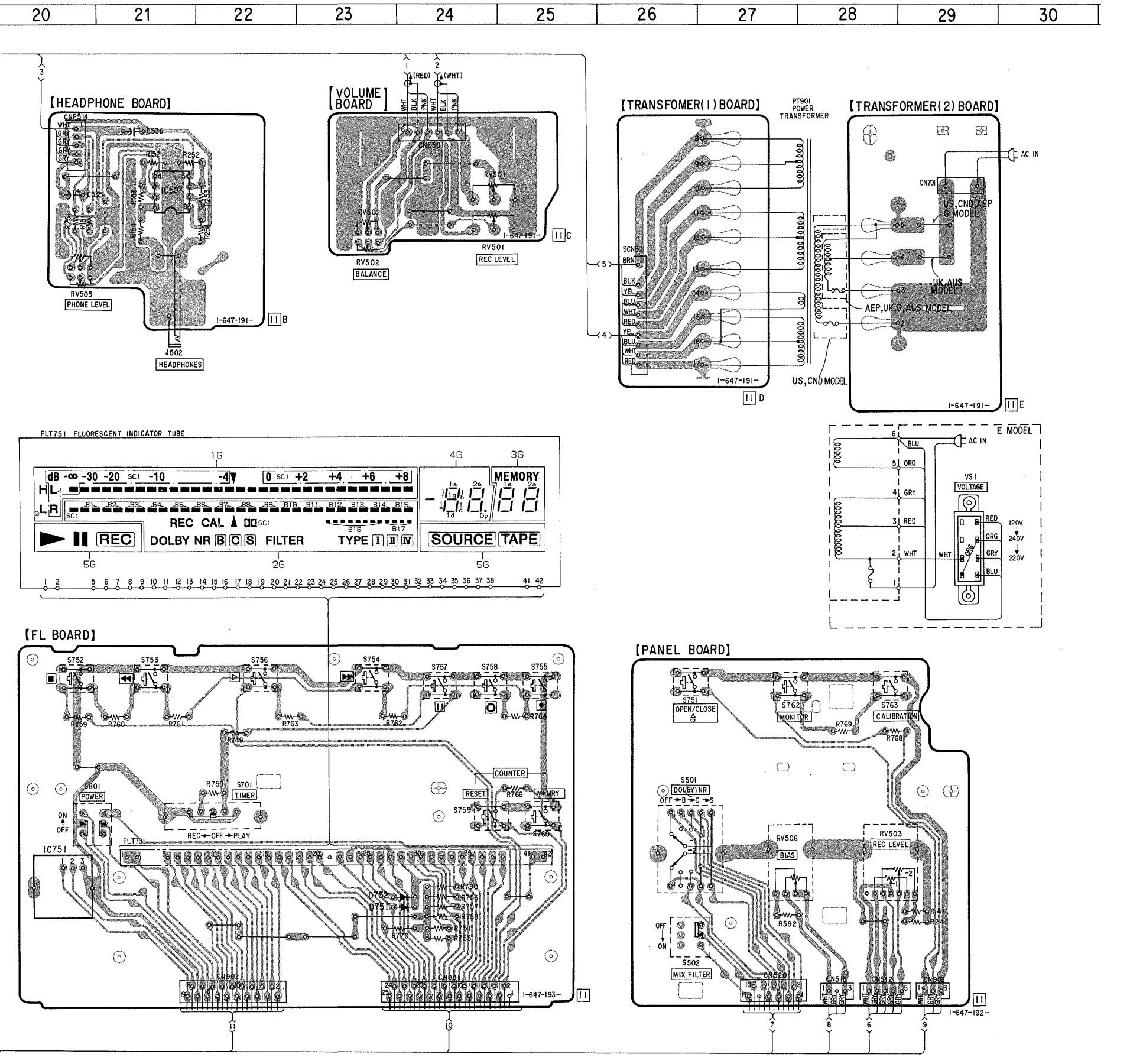
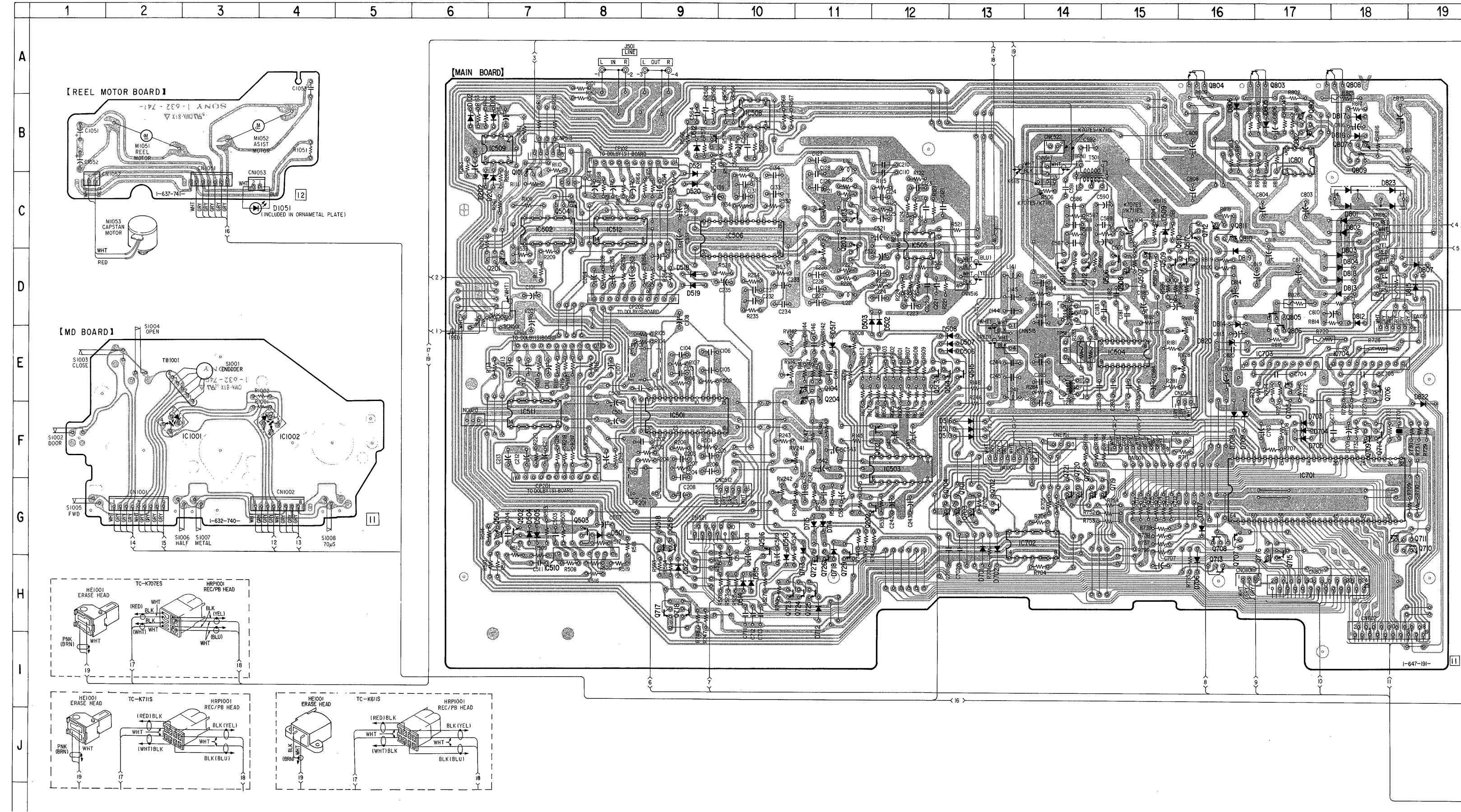


• Semiconductor Location

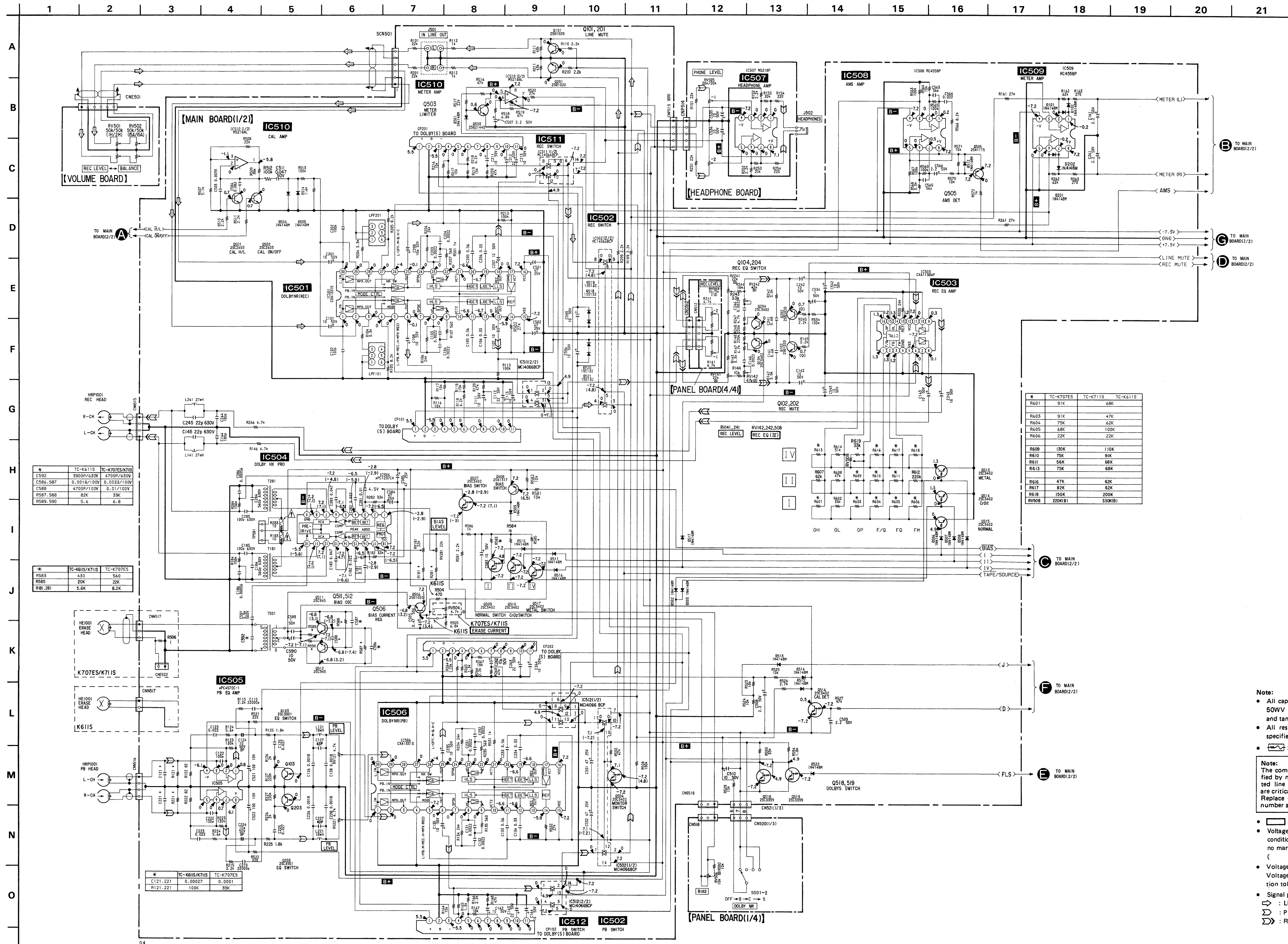
Ref. No.	Location	Ref. No.	Location	Ref. No.	Location
D101	B-7	D822	F-19	Q707	G-16
D102	B-6	D823	C-18	Q708	G-16
D201	C-7	D1051	C-4	Q709	F-18
D202	C-6			Q710	G-18
D501	G-8	IC501	F-9	Q711	G-18
D502	E-12	IC502	C-7	Q712	C-16
D503	E-11	IC503	F-12	Q713	H-16
D504	G-7	IC504	E-15	Q714	F-18
D505	G-7	IC505	C-12	Q715	G-17
D506	E-12	IC506	C-10	Q716	G-17
D507	E-12	IC507	B-21	Q717	H-9
D508	E-12	IC508	B-10	Q718	H-9
D509	C-15	IC509	B-7	Q719	G-14
D510	F-13	IC510	H-8	Q720	G-14
D511	F-13	IC511	F-7	Q721	G-14
D512	B-9	IC512	C-8	Q722	G-14
D513	H-10	IC701	G-17	Q723	H-10
D514	H-10	IC702	G-14	Q724	H-11
D515	H-10	IC703	E-17	Q725	H-11
D516	F-13	IC704	E-18	Q726	H-11
D517	E-11	IC751	F-20	Q727	H-11
D518	D-9	IC801	B-17	Q729	H-11
D519	D-9	IC1001	F-2	Q801	B-17
D520	C-9	IC1002	F-4	Q802	B-17
D521	C-9			Q803	A-16
D522	H-9	Q101	C-7	Q804	A-16
D701	G-13	Q102	F-12	Q805	D-17
D702	G-13	Q103	C-11	Q806	E-17
D703	F-17	Q104	E-11	Q807	B-18
D704	F-17	Q201	D-7	Q808	A-17
D705	F-17	Q202	G-11	Q809	B-18
D706	H-16	Q203	D-11	Q810	C-16
D707	G-16	Q204	E-11	Q811	C-16
D708	F-16	Q501	G-7		
D709	F-16	Q502	G-7		
D712	H-11	Q503	G-8		
D713	H-11	Q504	C-7		
D714	G-11	Q505	B-9		
D715	G-11	Q506	D-15		
D718	H-11	Q507	D-15		
D751	F-23	Q508	D-15		
D752	F-23	Q509	D-15		
D801	C-18	Q510	D-16		
D802	C-18	Q511	D-14		
D803	D-18	Q512	D-14		
D804	D-18	Q513	E-12		
D805	B-17	Q514	E-12		
D806	B-16	Q515	E-13		
D807	D-19	Q516	G-10		
D812	D-18	Q517	D-16		
D813	D-18	Q518	G-9		
D814	E-16	Q519	G-9		
D815	D-19	Q701	G-13		
D816	B-18	Q702	G-13		
D817	B-18	Q703	G-13		
D818	D-18	Q704	G-12		
D819	D-16	Q705	E-17		
D820	E-16	Q706	E-18		

Note:
 ● : parts extracted from the component side.
 ● CND : Canadian model
 ● G : German model
 ● AUS : Australian model

5-2. PRINTED WIRING BOARDS—MAIN SECTION— Refer to page 32 for Semiconductor Lead Layouts.



5-3. SCHEMATIC DIAGRAM—AUDIO SECTION—



TC-K611S	TC-K707ES/K711S
C592	3900P/630V
C586, 587	0.0018/100V
C588	4700P/100V
R587, 588	82K
R589, 590	5.6

TC-K611S	TC-K707ES
R585	450
R586	20K
R581, 581	5.6K

TC-K611S	TC-K707ES
C121, 121	0.00227
R121, 121	100K

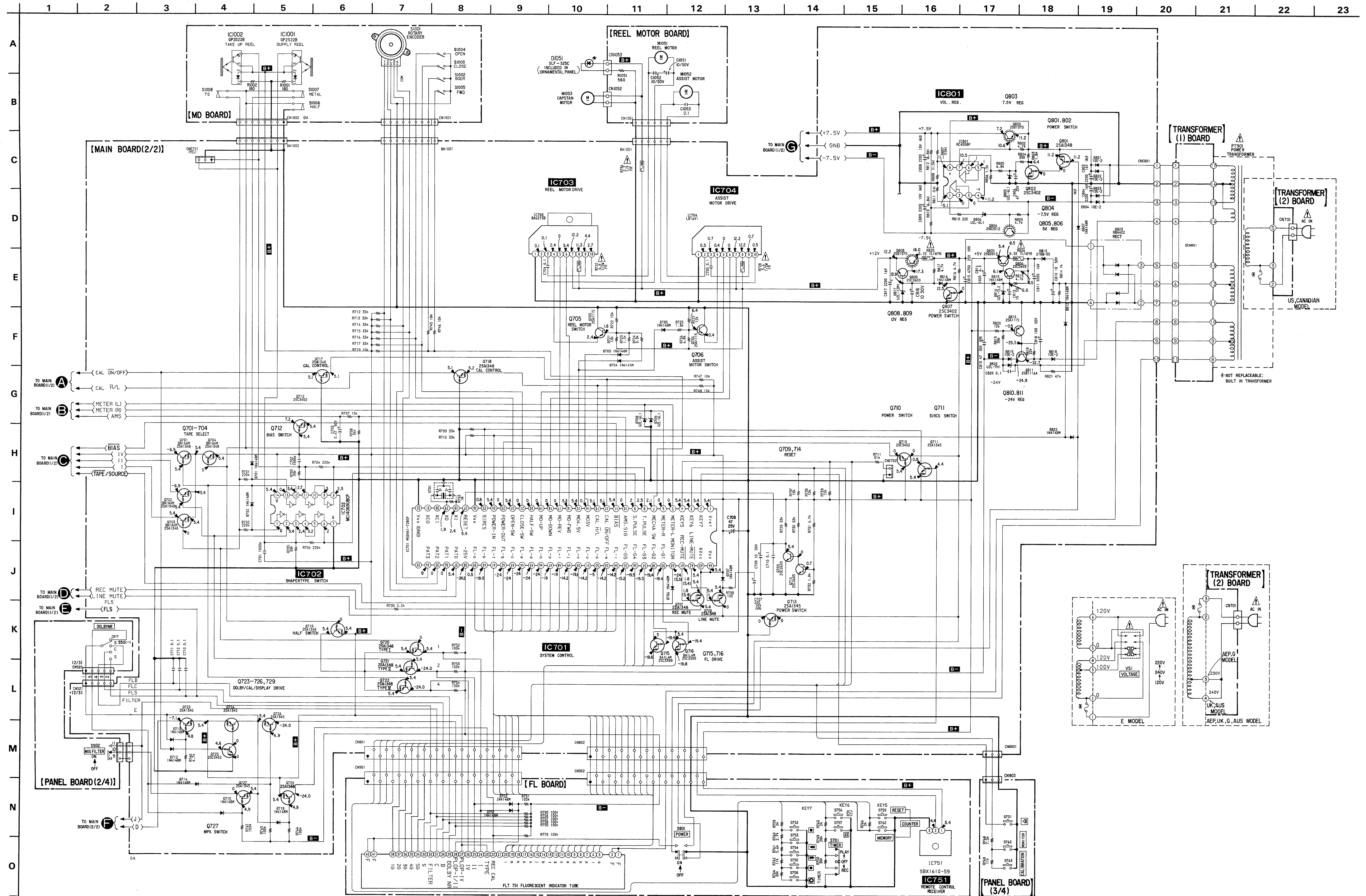
	TC-K707ES	TC-K711S	TC-K611S
R601	91K	68K	
R603	91K	47K	
R604	75K	62K	
R605	48K	100K	
R606	22K	22K	
R609	130K	110K	
R610	75K	91K	
R611	56K	68K	
R613	75K	68K	
R616	47K	62K	
R617	82K	62K	
R618	150K	200K	
RV608	200K(B)	330K(B)	

Note:
 • All capacitors are in μF unless otherwise noted. pF : μF 50WV or less are not indicated except for electrolytics and tantalums.
 • All resistors are in Ω and $\frac{1}{4}\text{W}$ or less unless otherwise specified.
 • --- : fusible resistor.

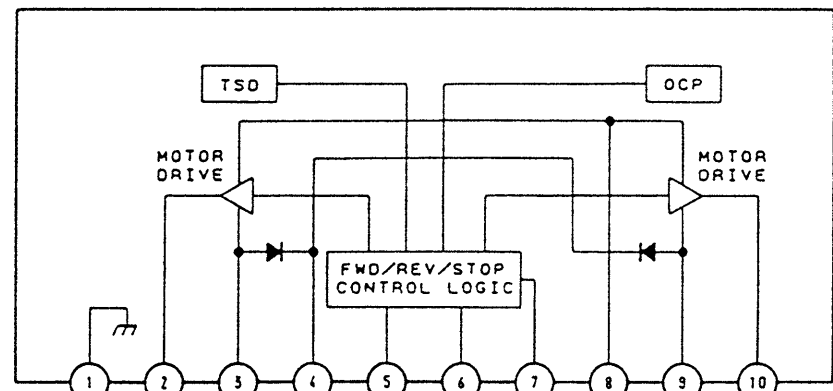
Note:
 The components identified by mark Δ or dotted line with mark Δ are critical for safety. Replace only with part number specified.
 Note:
 Les composants identifiés par une marque Δ sont critiques pour la sécurité. Ne les remplacer que par une pièce portant le numéro spécifié.

- : adjustment for repair.
- Voltage is dc with respect to ground under no-signal conditions.
 no mark : PB
 () : REC
- Voltagés are taken with a VOM (input Impedance 10M Ω). Voltage variations may be noted due to normal production tolerances.
- Signal path:
 ⇨ : LINE
 ⇨ : PB
 ⇨ : REC

5-4. SCHEMATIC DIAGRAM—SYSTEM CONTROL SECTION—



• IC Block Diagram
IC703 BA6219B
IC704 LB1641



- Note:**
- All capacitors are in μF unless otherwise noted. pF : μF 50WV or less are not indicated except for electrolytics and tantalums.
 - All resistors are in Ω and $1/4\text{W}$ or less unless otherwise specified.
 - Δ : internal component.
 - --- : fusible resistor.

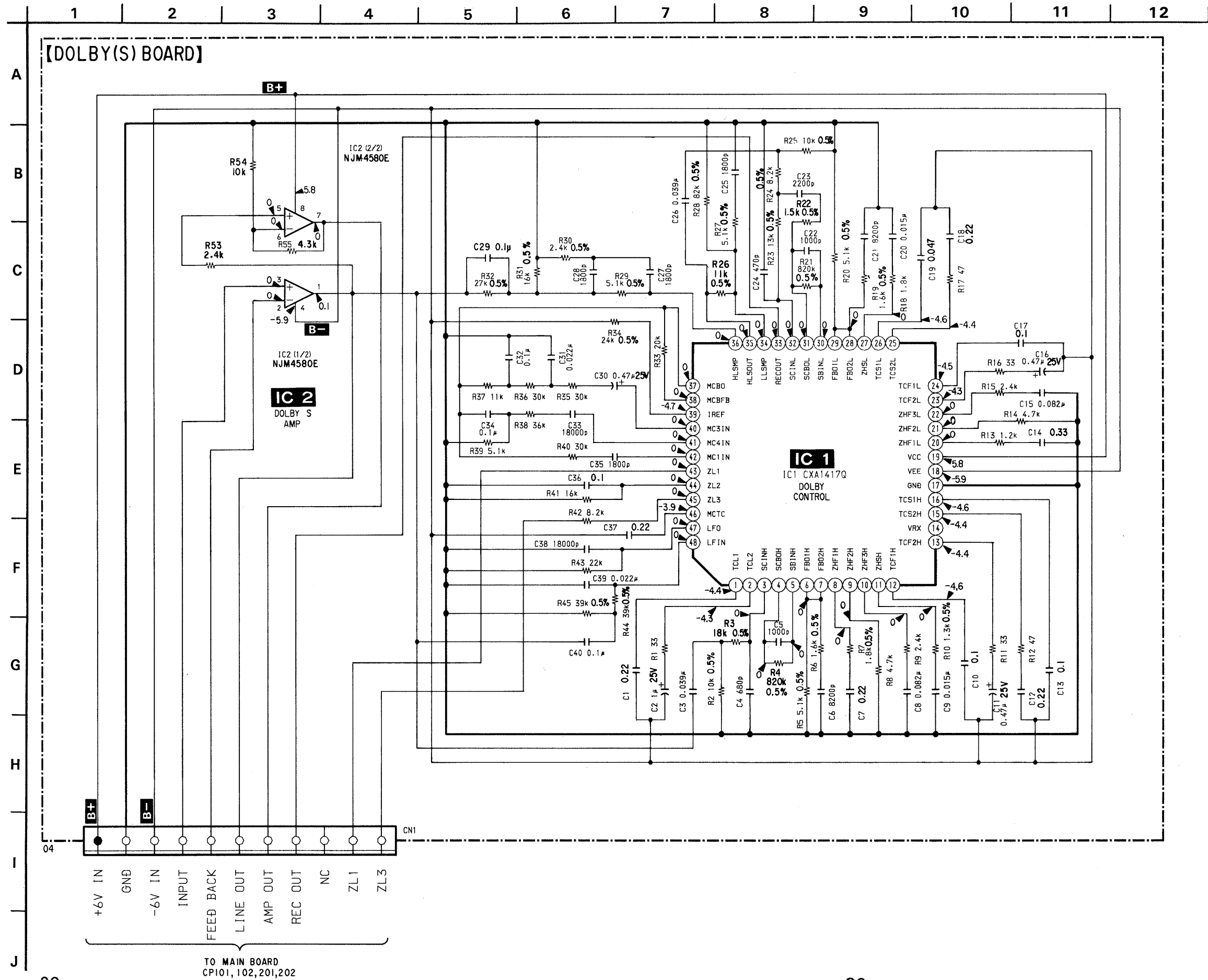
Notes:

The components identified by mark Δ or dotted line with mark Δ are critical for safety. Replace only with part number specified.

Les composants identifiés par une marque Δ sont critiques pour la sécurité. Ne les remplacer que par une pièce portant le numéro spécifié.

- Voltage is dc with respect to ground under no-signal conditions. no mark: PB (): REC
- Voltages are taken with a VOM (Input Impedance $10\text{M}\Omega$). Voltage variations may be noted due to normal production tolerances.
- G : German model
- AUS: Australian model

5-5. SCHEMATIC DIAGRAM—DOLBY S SECTION—

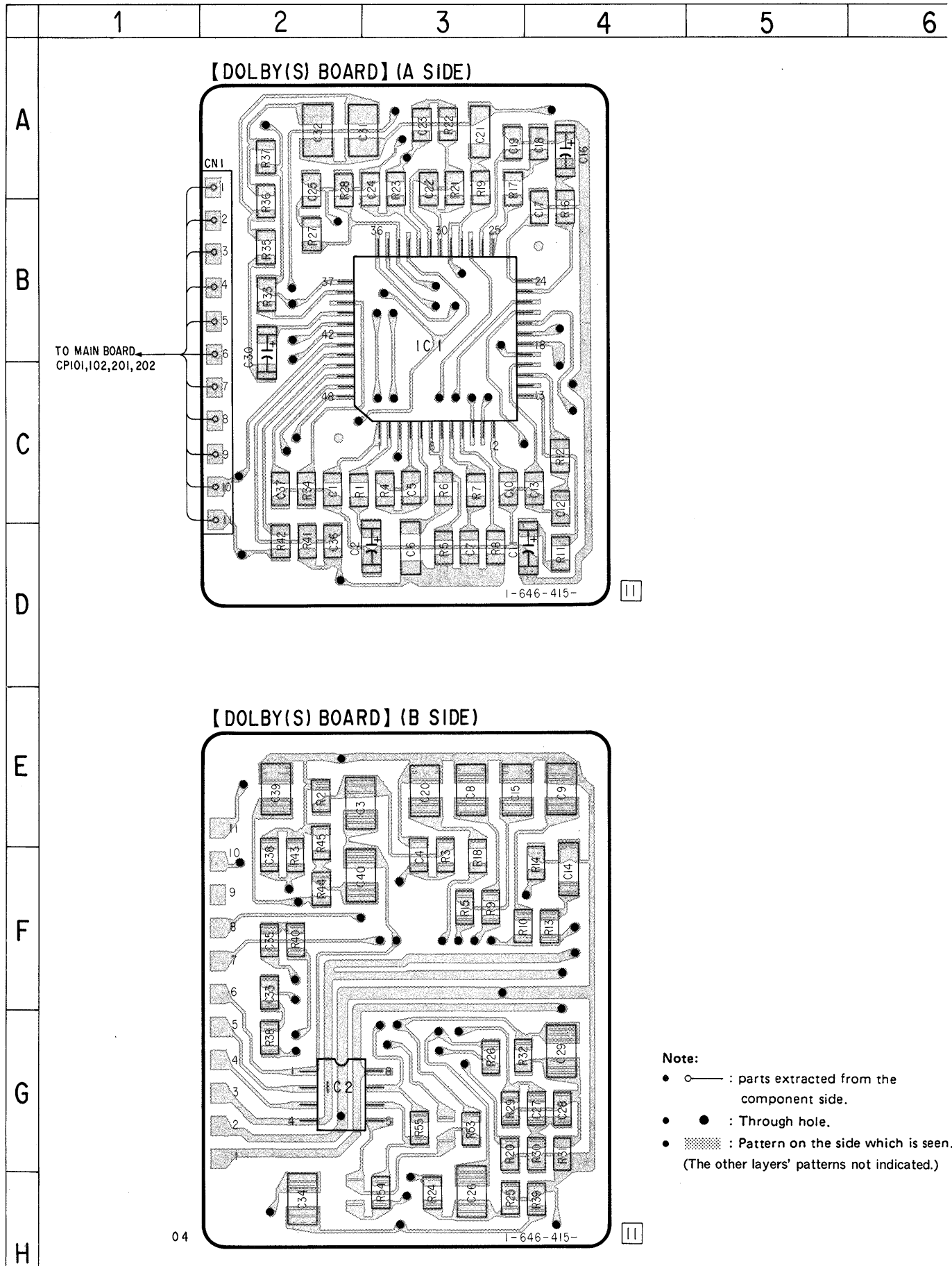


Note:

- All capacitors are in μF unless otherwise noted. pF : μpF 50WV or less are not indicated except for electrolytics and tantalums.
- All resistors are in Ω and $\frac{1}{4}\text{W}$ or less unless otherwise specified.
- Voltage is dc with respect to ground under no-signal conditions. no mark : PB
- Voltages are taken with a VOM (Input Impedance $10\text{M}\Omega$). Voltage variations may be noted due to normal production tolerances.

5-6. PRINTED WIRING BOARD—DOLBY S SECTION—

• Refer to page 32 for Semiconductor Lead Layouts.

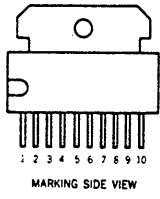


Note:

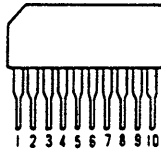
- : parts extracted from the component side.
- : Through hole.
- : Pattern on the side which is seen.
(The other layers' patterns not indicated.)

5-7. SEMICONDUCTOR LEAD LAYOUTS

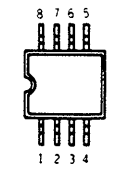
BA6219B



LB1641

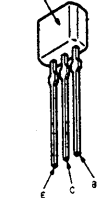


NJM4580E-D

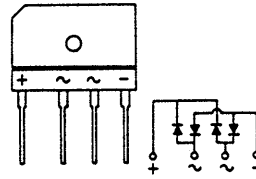


(TOP VIEW)

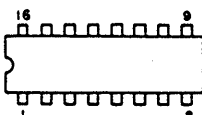
2SA1175-HFE
2SD1020-HFE
2SD2144S-UVW
letter side



RBA-402

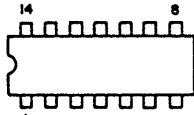


CXA1198AP



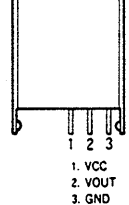
(TOP VIEW)

MC14066BCP



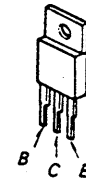
(TOP VIEW)

SBX1610-59

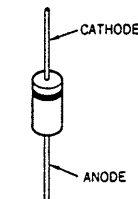


1. VCC
2. VOUT
3. GND

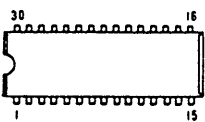
2SB1094-LK
2SD2012



1N4148M
10E2N

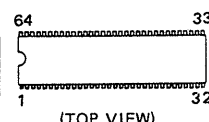


CXA1331S



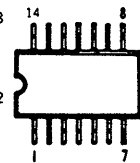
(Top view)

M50941-728SP



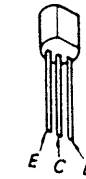
(TOP VIEW)

TC4069UBP

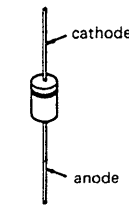


(TOP VIEW)

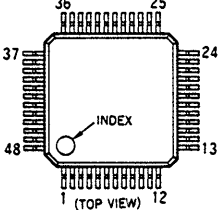
2SB1116A-L
2SC945-P



21DQ05

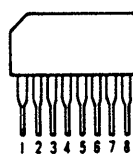


CXA14170

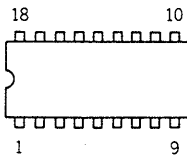


(TOP VIEW)

M5218AL

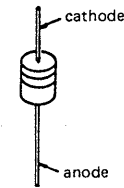


μPC1297CA

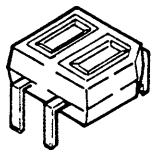


(Top view)

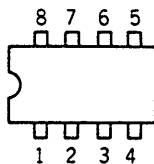
HZS6A1L
SLF325C
UZL-7H1
UZL-7L2
UZL-12M1
1SS202-1



GP2S22B

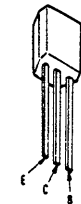


M5218AP
μPC4558C
μPC4570C-1

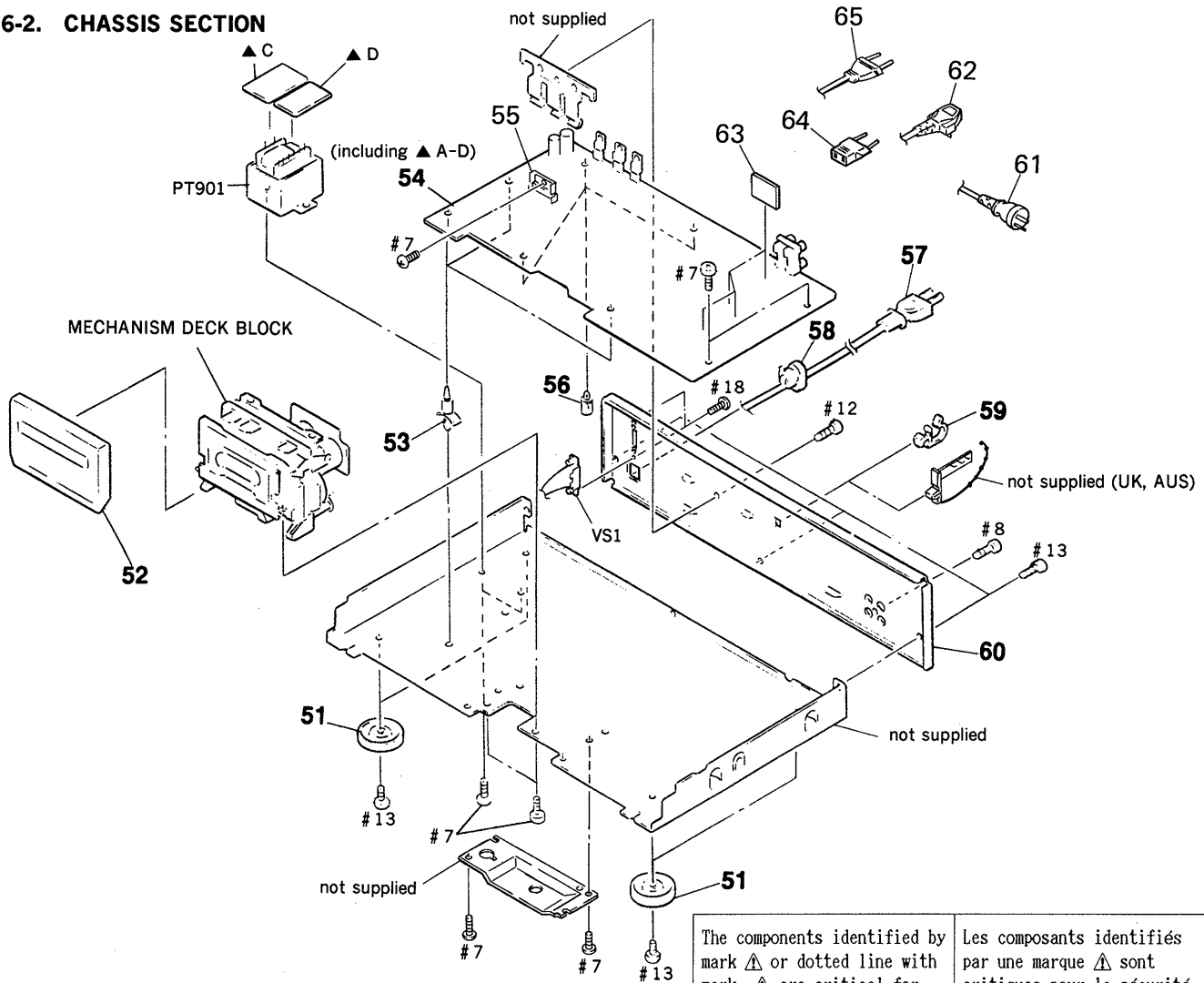


(Top view)

DTA114ES
DTA144ES
DTC114ES
DTC143TS
DTC144ES
2SC2603-EF



6-2. CHASSIS SECTION



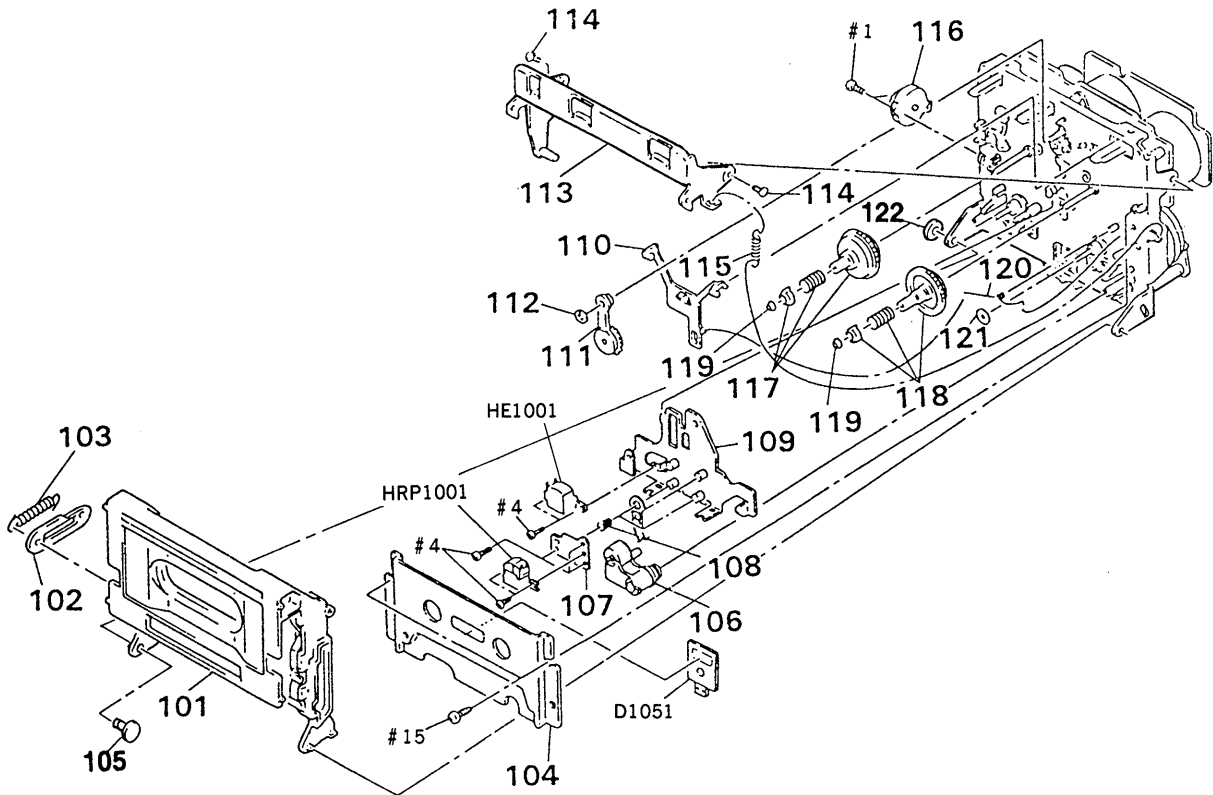
The components identified by mark \triangle or dotted line with mark \triangle are critical for safety. Replace only with part number specified.

Les composants identifiés par une marque \triangle sont critiques pour la sécurité. Ne les remplacer que par une pièce portant le numéro spécifié.

Ref. No.	Part No.	Description	Remark
51	4-943-148-32	FOOT (F58175SW) (K611S:US, Canadian)	
51	4-943-148-42	FOOT (F58175SW) (K707ES/K611S:AEP, UK, G, AUS)	
52	X-3366-167-1	LID ASSY, CASSETTE (K707ES:US, Canadian)	
52	X-3366-168-1	LID ASSY, CASSETTE (K711S)	
52	X-3366-169-1	LID ASSY, CASSETTE (K611S)	
52	X-3366-170-1	LID ASSY, CASSETTE (K707ES:E, AUS)	
* 53	3-346-265-11	HOLDER, PC BOARD	
* 54	A-2006-961-A	MAIN BOARD, COMPLETE (INCLUDING DOLBY (S) BOARD) (K707ES:US, Canadian)	
* 54	A-2006-962-A	MAIN BOARD, COMPLETE (INCLUDING DOLBY (S) BOARD) (K711S)	
* 54	A-2006-963-A	MAIN BOARD, COMPLETE (INCLUDING DOLBY (S) BOARD) (K611S:US, Canadian, AEP, G)	
* 54	A-2007-037-A	MAIN BOARD, COMPLETE (INCLUDING DOLBY (S) BOARD) (K707ES:AUS)	
* 54	A-2007-038-A	MAIN BOARD, COMPLETE (INCLUDING DOLBY (S) BOARD) (K611S:UK, AUS)	
* 54	A-2007-045-A	MAIN BOARD, COMPLETE (INCLUDING DOLBY (S) BOARD) (K707ES:E)	
* 55	3-356-925-01	HEAT SINK	
* 56	3-669-610-00	SPACER	

Ref. No.	Part No.	Description	Remark
\triangle 57	1-551-188-XX	CORD, POWER (E)	
\triangle 57	1-558-945-21	CORD, POWER (POLAR SPT-1) (US, Canadian)	
* 58	3-703-244-00	BUSHING (2104), CORD (AEP, UK, G, AUS)	
* 58	3-703-571-11	BUSHING (S) (4516), CORD (US, Canadian, E)	
* 59	4-949-235-01	FOOK (EXCEPT K707ES:AUS, K611S:UK, AUS)	
* 60	3-386-254-01	PANEL, BACK (K707ES:US, Canadian)	
* 60	3-386-254-11	PANEL, BACK (K707ES:E)	
* 60	3-386-254-21	PANEL, BACK (K707ES:AUS)	
* 60	3-386-254-31	PANEL, BACK (K711S)	
* 60	3-386-255-01	PANEL, BACK (K611S:US, Canadian)	
* 60	3-386-255-11	PANEL, BACK (K611S:AEP, G)	
* 60	3-386-255-21	PANEL, BACK (K611S:UK, AUS)	
\triangle 61	1-696-845-11	CORD, POWER (AUS)	
\triangle 62	1-696-586-11	CORD, POWER (UK)	
* 63	A-2006-954-A	DOLBY (S) BOARD, COMPLETE	
\triangle 64	1-569-007-11	ADAPTER, CONVERSION 2P (E)	
\triangle 65	1-575-651-21	CORD, POWER (AEP, G)	
\triangle PT901	1-423-475-11	TRANSFORMER, POWER (US, Canadian)	
\triangle PT901	1-423-476-11	TRANSFORMER, POWER (AEP, UK, G, AUS)	
\triangle PT901	1-423-533-11	TRANSFORMER, POWER (E)	
\triangle VS1	1-692-155-11	SELECTOR, POWER VOLTAGE (VOLTAGE) (E)	

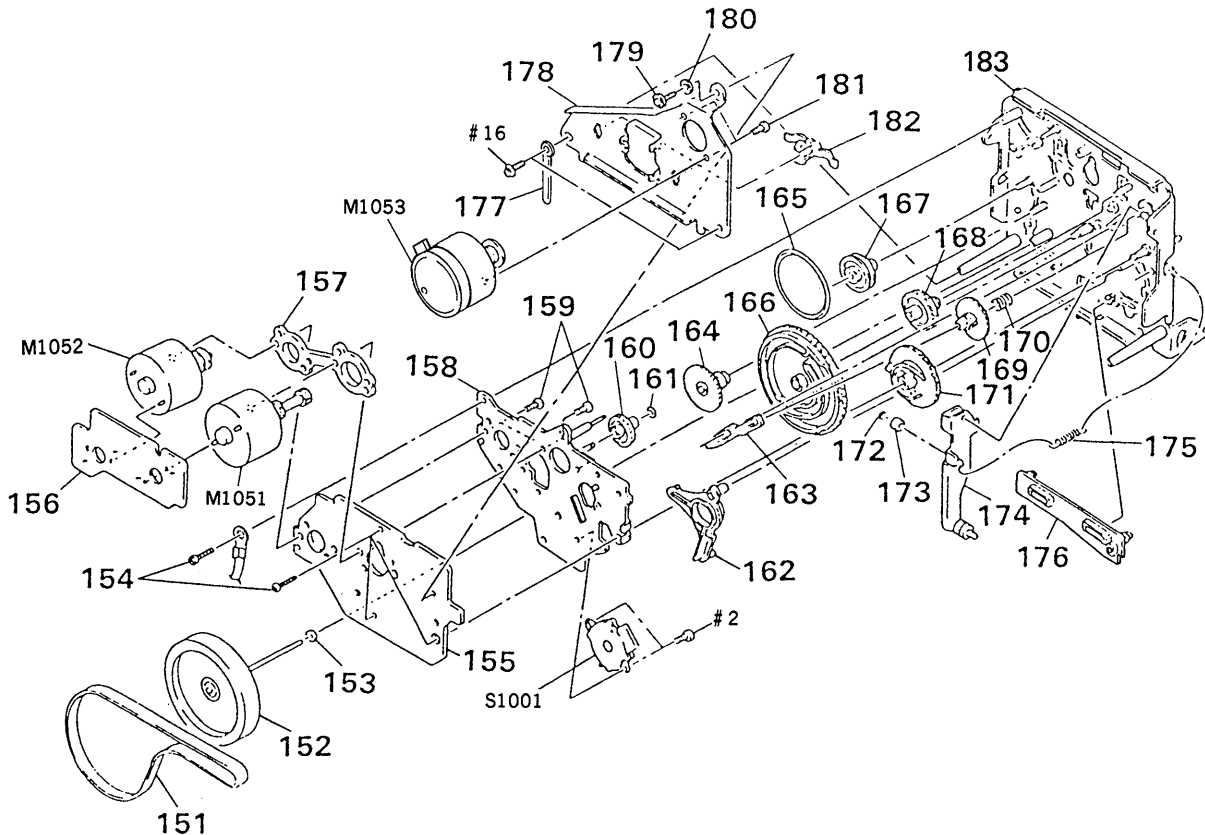
**6-3. MECHANISM SECTION 1
(TCM-200V15 : TC-K611S)**



Ref. No.	Part No.	Description	Remark
101	X-3365-299-1	HOLDER (CD-C) ASSY, CASSETTE	
* 102	3-356-717-01	LEVER (JOINT)	
103	3-356-626-01	SPRING, TENSION	
104	X-3356-613-1	PLATE ASSY, ORNAMENTAL	
105	3-378-341-01	SHAFT (L) (CASSETTE HOLDER)	
106	X-3356-649-1	LEVER (PINCH LEVER T) ASSY	
* 107	3-356-742-01	BRACKET (GUIDE R)	
108	3-356-659-01	SPRING (RPH), COMPRESSION	
109	X-3356-648-1	SLIDER (HEAD CHASSIS V2) ASSY	
110	3-356-614-01	SLIDER (BRAKE)	
111	X-3356-641-1	LEVER (FR2) ASSY	
112	3-669-465-11	WASHER (1.5), STOPPER	
* 113	X-3356-608-1	LEVER (LIFTER) ASSY	

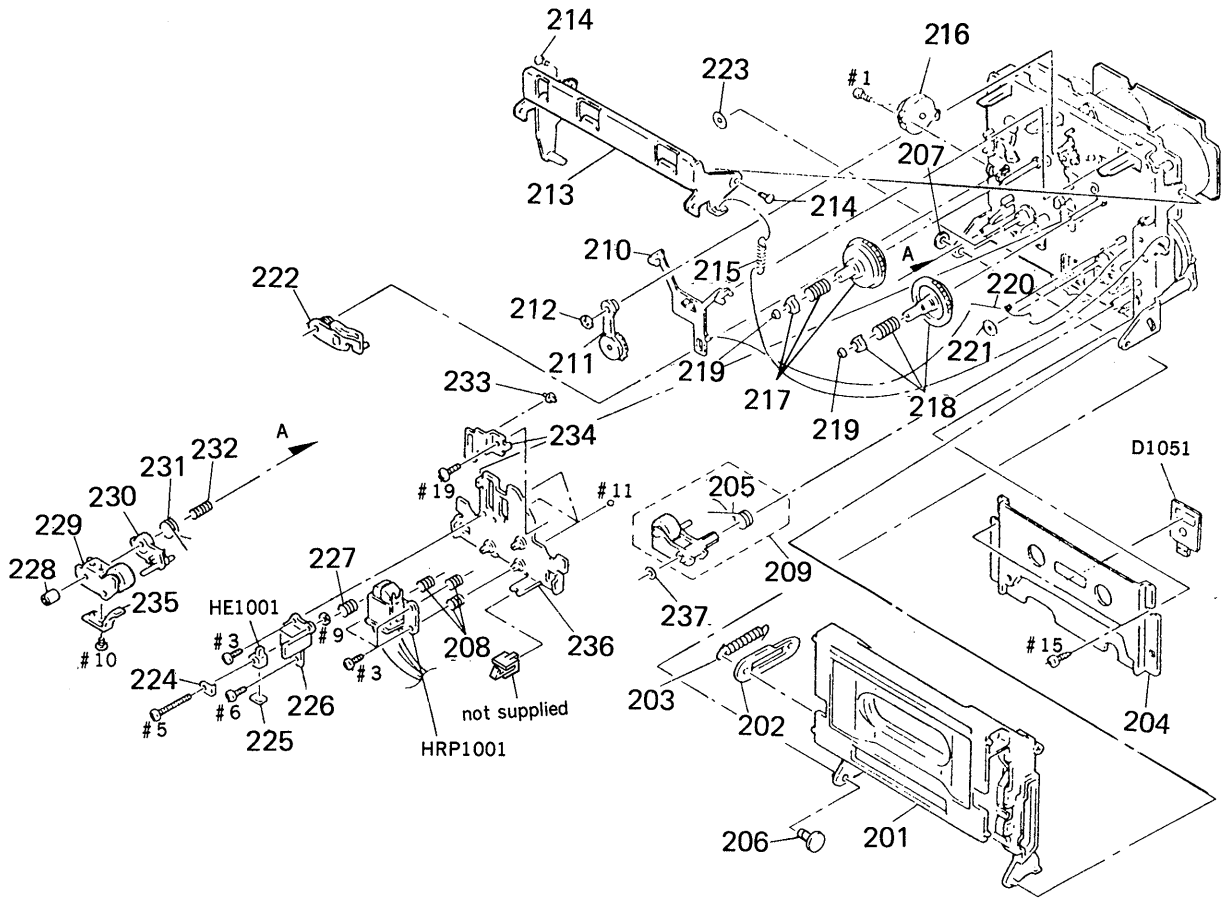
Ref. No.	Part No.	Description	Remark
114	3-356-601-11	SCREW, STEP	
115	3-356-625-01	SPRING, TENSION	
116	3-712-786-01	DAMPER, OIL	
117	X-3356-628-1	GEAR (S) ASSY	
118	X-3356-627-1	GEAR (T) ASSY	
119	3-362-308-01	CAP (REEL)	
120	3-356-619-01	SPRING (B), TORSION	
121	3-356-713-01	WASHER	
122	3-558-708-21	WASHER, STOPPER	
D1051	8-719-980-85	DIODE SLF325C	
HE1001	1-543-673-11	HEAD, MAGNETIC (ERASE)	
HRP1001	1-543-733-11	HEAD, MAGNETIC (RECORD/PLAYBACK)	

**6-4. MECHANISM SECTION 2
(TCM-200V15 : TC-K611S)**



Ref. No.	Part No.	Description	Remark	Ref. No.	Part No.	Description	Remark
151	3-356-744-01	BELT (CAPSTAN V)		170	3-356-605-01	SPRING, COMPRESSION	
152	X-3356-642-1	FLYWHEEL (R FWD) ASSY		171	3-356-616-01	GEAR (LOADING CAM)	
153	3-356-705-01	WASHER (CAPSTAN)		172	3-558-708-11	WASHER, STOPPER	
154	3-355-801-01	SCREW (BTP 2X18)		173	3-356-630-01	ROLLER (LOADING)	
* 155	1-632-740-11	MD BOARD		* 174	X-3356-606-1	LEVER (LOADING) ASSY	
* 156	1-632-741-11	REEL MOTOR BOARD		175	3-372-919-01	SPRING, TENSION	
* 157	3-356-628-01	SPACER (MOTOR)		176	3-356-653-01	SLIDER (PAUSE)	
* 158	X-3356-602-1	BRACKET (MOTOR R) ASSY		177	3-703-150-11	STOPPER, WIRING	
159	3-363-804-01	SCREW (+P 2.6X6.5)		* 178	3-356-629-01	BRACKET (THRUST RETAINER R)	
160	3-356-702-01	GEAR (COMMUNICATION B)		179	3-356-707-01	SCREW (+PTPWH 2X25)	
161	3-669-465-00	WASHER (1.5), STOPPER		* 180	3-356-718-01	SPACER (THRUST RETAINER R)	
162	3-356-613-01	LEVER (MODE)		181	4-885-599-00	SCREW, FITTING, REINFORCEMENT	
163	3-356-617-01	LEVER (SELECTION)		182	3-575-321-00	RETAINER, THRUST, CAPSTAN	
164	3-356-606-01	GEAR (MODE)		183	X-3356-644-1	CHASSIS (V1) COMPLETE ASSY, MECH	
165	3-356-603-01	BELT (MODE)		M1051	X-3356-638-1	MOTOR (REEL R) ASSY	
166	3-356-747-01	GEAR (MODE CAM C)		M1052	X-3356-604-1	MOTOR (ASSIST) ASSY	
167	3-356-607-01	PULLEY (MODE)		M1053	X-3356-646-1	MOTOR (CAPSTAN V1) ASSY	
168	3-356-703-01	GEAR (COMMUNICATION C)		S1001	1-466-238-11	ENCODER, ROTARY	
169	3-356-609-01	GEAR (LOADING)					

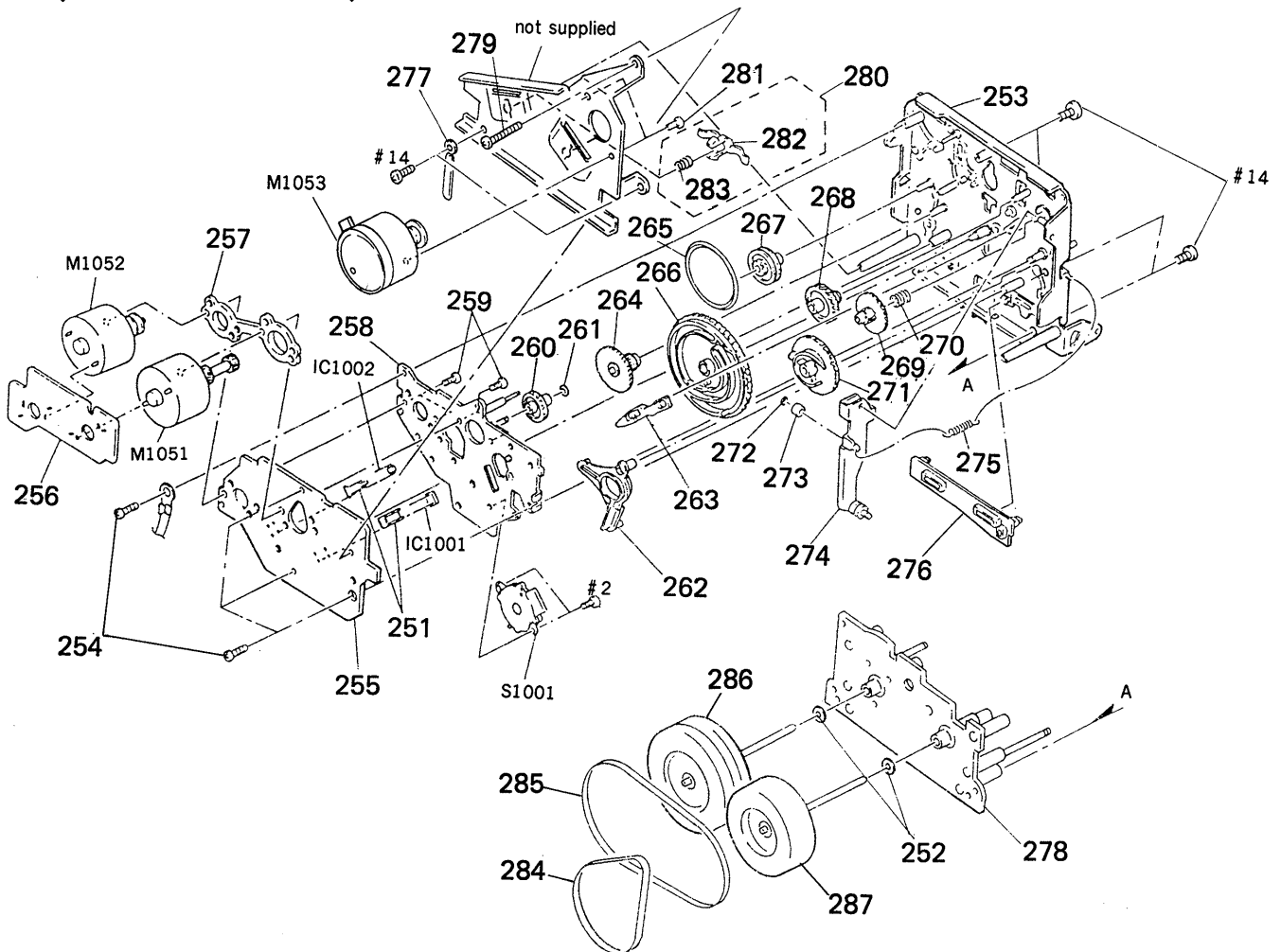
6-5. MECHANISM SECTION 3
(TCM-200V16: TC-K707ES)
(TCM-200V17: TC-K711S)



Ref. No.	Part No.	Description	Remark
201	X-3365-299-1	HOLDER (CD-C) ASSY, CASSETTE	
* 202	3-356-717-01	LEVER (JOINT)	
203	3-356-626-01	SPRING, TENSION	
204	X-3356-613-1	PLATE ASSY, ORNAMENTAL	
205	3-356-672-01	SPRING (PINCH LEVER T), TORSION	
206	3-378-341-01	SHAFT (L) (CASSETTE HOLDER)	
207	3-558-708-21	WASHER, STOPPER (K711S)	
208	3-356-659-01	SPRING (RPH), COMPRESSION	
209	X-3356-620-1	LEVER (PINCH LEVER T) ASSY	
210	3-356-614-01	SLIDER (BRAKE)	
211	X-3356-641-1	LEVER (FR2) ASSY	
212	3-669-465-11	WASHER (1.5), STOPPER	
* 213	X-3356-608-1	LEVER (LIFTER) ASSY	
214	3-356-601-11	SCREW, STEP	
215	3-356-625-01	SPRING, TENSION	
216	3-712-786-01	DAMPER, OIL	
217	X-3356-629-1	GEAR (S) ASSY	
218	X-3356-627-1	GEAR (T) ASSY	
219	3-362-308-01	CAP (REEL)	
220	3-356-619-01	SPRING (B), TORSION	
221	3-332-763-01	RING, OIL RESERVOIR	

Ref. No.	Part No.	Description	Remark
222	X-3356-623-1	LEVER (BT) ASSY	
223	3-356-713-01	WASHER	
224	3-318-433-01	SPRING	
* 225	1-608-268-00	ERASE HEAD BOARD	
* 226	3-576-977-00	BRACKET, E. HEAD	
227	3-564-121-00	SPRING, COMPRESSION	
228	3-356-652-01	NUT (PINCH LEVER S)	
229	X-3356-621-1	LEVER (PINCH LEVER S) ASSY	
230	3-356-660-01	LEVER (PS)	
231	3-356-661-01	SPRING (PINCH LEVER S), TORSION	
232	3-356-657-01	SPRING (PS), COMPRESSION	
233	3-367-775-01	ROLLER (HEAD CHASSIS)	
234	3-356-656-11	SPRING (HEAD PC BOARD), LEAF	
235	3-389-445-01	GUIDE (SL), TAPE	
* 236	X-3362-861-1	SLIDER (HEAD CHASSIS V4) ASSY	
237	3-669-596-00	WASHER (2.3), STOPPER	
D1051	8-719-980-85	DIODE SLF325C	
HE1001	1-543-836-11	HEAD, MAGNETIC (ERASE)	
HRP10011-543-834-11	HEAD, MAGNETIC (REC/PB) (K711S)		
HRP10011-543-835-11	HEAD, MAGNETIC (REC PB) (K707ES)		

**6-6. MECHANISM SECTION 4
(TCM-200V16 : TC-K707ES)
(TCM-200V17 : TC-K711S)**



Ref. No.	Part No.	Description	Remark	Ref. No.	Part No.	Description	Remark
251	3-356-631-01	HOLDER (SENSOR)		273	3-356-630-01	ROLLER (LOADING)	
252	3-356-705-31	WASHER (CAPSTAN)		* 274	X-3356-606-1	LEVER (LOADING) ASSY	
* 253	X-3362-862-1	CHASSIS (V4) ASSY, MECHANICAL		275	3-372-919-01	SPRING, TENSION	
254	3-355-801-01	SCREW (BTP 2X18)		276	3-356-653-01	SLIDER (PAUSE)	
* 255	1-632-740-11	MD BOARD		277	3-703-150-11	STOPPER, WIRING	
* 256	1-632-741-11	REEL MOTOR BOARD		* 278	X-3362-865-1	BRACKET (CAPSTAN BASE) ASSY	
* 257	3-356-628-01	SPACER (MOTOR)		279	3-356-707-01	SCREW (+PTPW 2X25)	
* 258	X-3356-616-1	BRACKET (MOTOR D) ASSY		280	X-3365-071-1	RETAINER (V4) ASSY, THRUST	
259	3-363-804-01	SCREW (+P 2.6X6.5)		281	4-885-599-00	SCREW, FITTING, REINFORCEMENT	
260	3-356-702-01	GEAR (COMMUNICATION B)		282	3-575-321-00	RETAINER, THRUST, CAPSTAN	
261	3-669-465-00	WASHER (1.5), STOPPER		283	3-379-310-01	SPRING, COMPRESSION	
262	3-356-613-01	LEVER (MODE)		284	3-367-774-01	BELT (CAPSTAN V4)	
263	3-356-617-01	LEVER (SELECTION)		285	3-364-600-01	BELT (CAPSTAN)	
264	3-356-606-01	GEAR (MODE)		286	X-3362-863-1	FLYWHEEL (VT) ASSY	
265	3-356-603-01	BELT (MODE)		287	X-3362-864-1	FLYWHEEL (VS) ASSY	
266	3-356-747-01	GEAR (MODE CAM C)		IC1001	8-749-920-97	DIODE GP2SSSB	
267	3-356-607-01	PULLEY (MODE)		IC1002	8-749-920-97	DIODE GP2S22B	
268	3-356-703-01	GEAR (COMMUNICATION C)		M1051	X-3356-638-1	MOTOR (REEL R) ASSY	
269	3-356-609-01	GEAR (LOADING)		M1052	X-3356-604-1	MOTOR (ASSIST) ASSY	
270	3-356-605-01	SPRING, COMPRESSION		M1053	X-3356-635-1	MOTOR (CAPSTAN R2) ASSY	
271	3-356-616-01	GEAR (LOADING CAM)		S1001	1-466-238-11	ENCODER, ROTARY	
272	3-558-708-11	WASHER, STOPPER					

SECTION 7 ELECTRICAL PARTS LIST

DOLBY (S)

NOTE:

- Due to standardization, replacements in the parts list may be different from the parts specified in the diagrams or the components used on the set.
- -XX and -X mean standardized parts, so they may have some difference from the original one.
- RESISTORS
All resistors are in ohms.
METAL: Metal-film resistor.
METAL OXIDE: Metal oxide-film resistor.
F: nonflammable

- Items marked "*" are not stocked since they are seldom required for routine service. Some delay should be anticipated when ordering these items.
- SEMICONDUCTORS
In each case, u: μ , for example:
uA ... μ A. uPA... μ PA..
uPB... μ PB.. uPC... μ PC.. uPD... μ PD..
- CAPACITORS
uF: μ F
- COILS
uH: μ H

The components identified by mark Δ or dotted line with mark Δ are critical for safety. Replace only with part number specified.

Les composants identifiés par une marque Δ sont critiques pour la sécurité. Ne les remplacer que par une pièce portant le numéro spécifié.

When indicating parts by reference number, please include the board.

- G : German model
- AUS : Australian model

Ref. No.	Part No.	Description	Remark		Ref. No.	Part No.	Description	Remark
*	A-2006-954-A	DOLBY (S) BOARD, COMPLETE *****						
		< CAPACITOR >						
C1	1-164-222-11	CERAMIC CHIP	0.22uF	25V				
C2	1-135-177-21	TANTALUM CHIP	1uF	20V				
C3	1-104-558-91	FILM CHIP	0.039uF	5%				
C4	1-163-007-11	CERAMIC CHIP	680PF	10%				
C5	1-163-009-11	CERAMIC CHIP	0.001uF	10%				
C6	1-164-717-11	CERAMIC CHIP	0.0082uF	5%				
C7	1-164-222-11	CERAMIC CHIP	0.22uF	25V				
C8	1-104-562-11	FILM CHIP	0.082uF	5%				
C9	1-104-553-11	FILM CHIP	0.015uF	5%				
C10	1-165-319-11	CERAMIC CHIP	0.1uF	50V				
C11	1-135-145-11	TANTALUM CHIP	0.47uF	10%				
C12	1-164-222-11	CERAMIC CHIP	0.22uF	25V				
C13	1-165-319-11	CERAMIC CHIP	0.1uF	50V				
C14	1-162-568-11	CERAMIC CHIP	0.33uF	10%				
C15	1-104-562-11	FILM CHIP	0.082uF	5%				
C16	1-135-145-11	TANTALUM CHIP	0.47uF	10%				
C17	1-165-319-11	CERAMIC CHIP	0.1uF	50V				
C18	1-164-222-11	CERAMIC CHIP	0.22uF	25V				
C19	1-163-035-00	CERAMIC CHIP	0.047uF	50V				
C20	1-104-553-11	FILM CHIP	0.015uF	5%				
C21	1-164-717-11	CERAMIC CHIP	0.0082uF	5%				
C22	1-163-009-11	CERAMIC CHIP	0.001uF	10%				
C23	1-164-161-11	CERAMIC CHIP	0.0022uF	10%				
C24	1-163-005-11	CERAMIC CHIP	470PF	10%				
C25	1-163-012-00	CERAMIC CHIP	0.0018uF	10%				
C26	1-104-558-91	FILM CHIP	0.039uF	5%				
C27	1-163-012-00	CERAMIC CHIP	0.0018uF	10%				
C28	1-163-012-00	CERAMIC CHIP	0.0018uF	10%				
C29	1-104-563-11	FILM CHIP	0.1uF	5%				
C30	1-135-145-11	TANTALUM CHIP	0.47uF	10%				
C31	1-104-555-11	FILM CHIP	0.022uF	5%				
C32	1-104-563-11	FILM CHIP	0.1uF	5%				
C33	1-163-024-00	CERAMIC CHIP	0.018uF	10%				
C34	1-104-563-11	FILM CHIP	0.1uF	5%				
C35	1-163-012-00	CERAMIC CHIP	0.0018uF	10%				
C36	1-165-319-11	CERAMIC CHIP	0.1uF	50V				
C37	1-164-222-11	CERAMIC CHIP	0.22uF	25V				
C38	1-163-024-00	CERAMIC CHIP	0.018uF	10%				
C39	1-104-555-11	FILM CHIP	0.022uF	5%				
C40	1-104-563-11	FILM CHIP	0.1uF	5%				
		< CONNECTOR >						
* CN1	1-537-473-11	TERMINAL (LEAD PIN)						
		< IC >						
IC1	8-752-056-51	IC	CXA1417Q					
IC2	8-759-711-85	IC	NJM4580E-D					
		< RESISTOR >						
R1	1-216-013-00	METAL CHIP	33	5%	1/10W			
R2	1-216-675-11	METAL CHIP	10K	0.5%	1/10W			
R3	1-216-681-11	METAL CHIP	18K	0.5%	1/10W			
R4	1-218-774-11	METAL CHIP	820K	0.50%	1/10W			
R5	1-216-668-11	METAL CHIP	5.1K	0.5%	1/10W			
R6	1-216-656-11	METAL CHIP	1.6K	0.5%	1/10W			
R7	1-216-657-11	METAL CHIP	1.8K	0.5%	1/10W			
R8	1-216-065-00	METAL CHIP	4.7K	5%	1/10W			
R9	1-216-058-00	METAL GLAZE	2.4K	5%	1/10W			
R10	1-216-654-11	METAL CHIP	1.3K	0.5%	1/10W			
R11	1-216-013-00	METAL CHIP	33	5%	1/10W			
R12	1-216-017-00	METAL CHIP	47	5%	1/10W			
R13	1-216-051-00	METAL CHIP	1.2K	5%	1/10W			
R14	1-216-065-00	METAL CHIP	4.7K	5%	1/10W			
R15	1-216-058-00	METAL GLAZE	2.4K	5%	1/10W			
R16	1-216-013-00	METAL CHIP	33	5%	1/10W			
R17	1-216-017-00	METAL CHIP	47	5%	1/10W			
R18	1-216-055-00	METAL CHIP	1.8K	5%	1/10W			
R19	1-216-656-11	METAL CHIP	1.6K	0.5%	1/10W			
R20	1-216-668-11	METAL CHIP	5.1K	0.5%	1/10W			
R21	1-218-774-11	METAL CHIP	820K	0.50%	1/10W			
R22	1-216-655-11	METAL CHIP	1.5K	0.5%	1/10W			
R23	1-216-678-11	METAL CHIP	13K	0.5%	1/10W			
R24	1-216-673-11	METAL CHIP	8.2K	0.5%	1/10W			
R25	1-216-675-11	METAL CHIP	10K	0.5%	1/10W			

Ref. No.	Part No.	Description	Remark		
R26	1-216-676-11	METAL CHIP	11K	0.5%	1/10W
R27	1-216-668-11	METAL CHIP	5.1K	0.5%	1/10W
R28	1-216-697-11	METAL CHIP	82K	0.5%	1/10W
R29	1-216-668-11	METAL CHIP	5.1K	0.5%	1/10W
R30	1-216-660-11	METAL CHIP	2.4K	0.5%	1/10W
R31	1-216-680-11	METAL CHIP	16K	0.5%	1/10W
R32	1-216-685-11	METAL CHIP	27K	0.5%	1/10W
R33	1-216-080-00	METAL CHIP	20K	5%	1/10W
R34	1-216-684-11	METAL CHIP	24K	0.5%	1/10W
R35	1-216-084-00	METAL CHIP	30K	5%	1/10W
R36	1-216-084-00	METAL CHIP	30K	5%	1/10W
R37	1-216-074-00	METAL CHIP	11K	5%	1/10W
R38	1-216-086-00	METAL GLAZE	36K	5%	1/10W
R39	1-216-066-00	METAL CHIP	5.1K	5%	1/10W
R40	1-216-084-00	METAL CHIP	30K	5%	1/10W
R41	1-216-078-00	METAL GLAZE	16K	5%	1/10W
R42	1-216-071-00	METAL CHIP	8.2K	5%	1/10W
R43	1-216-081-00	METAL CHIP	22K	5%	1/10W
R44	1-216-689-11	METAL CHIP	39K	0.5%	1/10W
R45	1-216-689-11	METAL CHIP	39K	0.5%	1/10W
R53	1-216-058-00	METAL GLAZE	2.4K	5%	1/10W
R54	1-216-675-11	METAL CHIP	10K	0.5%	1/10W
R55	1-216-666-11	METAL CHIP	4.3K	0.5%	1/10W

*	A-2006-961-A	MAIN BOARD, COMPLETE (INCLUDING DOLBY (S) BOARD) (K707ES:US, Canadian)			
*	A-2006-962-A	MAIN BOARD, COMPLETE (INCLUDING DOLBY (S) BOARD) (K711S)			
*	A-2006-963-A	MAIN BOARD, COMPLETE (INCLUDING DOLBY (S) BOARD) (K611:US, Canadian, AEP, G)			
*	A-2007-037-A	MAIN BOARD, COMPLETE (INCLUDING DOLBY (S) BOARD) (K707ES:AUS)			
*	A-2007-038-A	MAIN BOARD, COMPLETE (INCLUDING DOLBY (S) BOARD) (K611S:UK, AUS)			
*	A-2007-045-A	MAIN BOARD, COMPLETE (INCLUDING DOLBY (S) BOARD) (K707ES:E)			

*	3-356-925-01	HEAT SINK			
	7-685-871-01	SCREW +BVTT 3X6 (S)			
< CAPACITOR >					
C101	1-126-059-11	ELECT	10uF	20%	50V
C102	1-162-282-31	CERAMIC	100PF	10%	50V
C103	1-130-475-00	MYLAR	0.0022uF	5%	50V
C104	1-130-475-00	MYLAR	0.0022uF	5%	50V
C105	1-136-174-00	FILM	0.56uF	5%	50V
C106	1-136-171-00	FILM	0.33uF	5%	50V
C107	1-126-059-11	ELECT	10uF	20%	50V
C108	1-124-657-00	ELECT	10uF	20%	50V
C110	1-161-494-00	CERAMIC	0.022uF		25V

Ref. No.	Part No.	Description	Remark		
C111	1-124-907-11	ELECT	10uF	20%	50V
C112	1-124-916-11	ELECT	22uF	20%	63V
C113	1-124-907-11	ELECT	10uF	20%	50V
C121	1-110-335-11	MYLAR (K707ES)	100PF	5%	50V
C121	1-110-340-11	MYLAR (K711S, K611S)	270PF	5%	50V
C122	1-162-282-31	CERAMIC	100PF	10%	50V
C123	1-130-487-00	MYLAR	0.022uF	5%	50V
C124	1-124-657-00	ELECT	10uF	20%	50V
C125	1-130-488-00	MYLAR	0.027uF	5%	50V
C126	1-130-474-00	MYLAR	0.0018uF	5%	50V
C127	1-102-521-11	CERAMIC	43PF	5%	50V
C128	1-130-474-00	MYLAR	0.0018uF	5%	50V
C131	1-130-475-00	MYLAR	0.0022uF	5%	50V
C132	1-130-475-00	MYLAR	0.0022uF	5%	50V
C133	1-136-174-00	FILM	0.56uF	5%	50V
C134	1-136-171-00	FILM	0.33uF	5%	50V
C135	1-124-657-00	ELECT	10uF	20%	50V
C141	1-136-175-00	FILM	0.68uF	5%	50V
C142	1-126-059-11	ELECT	10uF	20%	50V
C143	1-126-059-11	ELECT	10uF	20%	50V
C144	1-110-338-51	MYLAR	180PF	5%	50V
C145	1-136-935-11	FILM	22PF	5%	630V
C146	1-130-475-00	MYLAR	0.0022uF	5%	50V
C161	1-124-925-11	ELECT	2.2uF	20%	100V
C162	1-124-907-11	ELECT	10uF	20%	50V
C163	1-124-916-11	ELECT	22uF	20%	63V
C164	1-124-907-11	ELECT	10uF	20%	50V
C181	1-136-153-00	FILM	0.01uF	5%	50V
C182	1-136-157-00	FILM	0.022uF	5%	50V
C183	1-136-161-00	FILM	0.047uF	5%	50V
C184	1-136-803-11	FILM	560PF	5%	630V
C185	1-136-433-11	FILM	100PF	5%	630V
C186	1-130-468-00	MYLAR	560PF	5%	50V
C201	1-126-059-11	ELECT	10uF	20%	50V
C202	1-162-282-31	CERAMIC	100PF	10%	50V
C203	1-130-475-00	MYLAR	0.0022uF	5%	50V
C204	1-130-475-00	MYLAR	0.0022uF	5%	50V
C205	1-136-174-00	FILM	0.56uF	5%	50V
C206	1-136-171-00	FILM	0.33uF	5%	50V
C207	1-126-059-11	ELECT	10uF	20%	50V
C208	1-124-657-00	ELECT	10uF	20%	50V
C210	1-161-494-00	CERAMIC	0.022uF		25V
C211	1-124-907-11	ELECT	10uF	20%	50V
C212	1-124-916-11	ELECT	22uF	20%	63V
C213	1-124-907-11	ELECT	10uF	20%	50V
C221	1-110-335-11	MYLAR (K707ES)	100PF	5%	50V

Ref. No.	Part No.	Description	Remark
C221	1-110-340-11	MYLAR (K711S, K611S)	270PF 5% 50V
C222	1-162-282-31	CERAMIC	100PF 10% 50V
C223	1-130-487-00	MYLAR	0.022uF 5% 50V
C224	1-124-657-00	ELECT	10uF 20% 50V
C225	1-130-488-00	MYLAR	0.027uF 5% 50V
C226	1-130-474-00	MYLAR	0.0018uF 5% 50V
C227	1-102-521-11	CERAMIC	43PF 5% 50V
C228	1-130-474-00	MYLAR	0.0018uF 5% 50V
C231	1-130-475-00	MYLAR	0.0022uF 5% 50V
C232	1-130-475-00	MYLAR	0.0022uF 5% 50V
C233	1-136-174-00	FILM	0.56uF 5% 50V
C234	1-136-171-00	FILM	0.33uF 5% 50V
C235	1-124-657-00	ELECT	10uF 20% 50V
C241	1-136-175-00	FILM	0.68uF 5% 50V
C242	1-126-059-11	ELECT	10uF 20% 50V
C243	1-126-059-11	ELECT	10uF 20% 50V
C244	1-110-338-51	MYLAR	180PF 5% 50V
C245	1-136-935-11	FILM	22PF 5% 630V
C246	1-130-475-00	MYLAR	0.0022uF 5% 50V
C261	1-124-925-11	ELECT	2.2uF 20% 100V
C262	1-124-907-11	ELECT	10uF 20% 50V
C263	1-124-916-11	ELECT	22uF 20% 63V
C264	1-124-907-11	ELECT	10uF 20% 50V
C281	1-136-153-00	FILM	0.01uF 5% 50V
C282	1-136-157-00	FILM	0.022uF 5% 50V
C283	1-136-161-00	FILM	0.047uF 5% 50V
C284	1-136-803-11	FILM	560PF 5% 630V
C285	1-136-433-11	FILM	100PF 5% 630V
C286	1-130-468-00	MYLAR	560PF 5% 50V
C501	1-126-022-11	ELECT	47uF 20% 25V
C502	1-126-022-11	ELECT	47uF 20% 25V
C503	1-130-478-00	MYLAR	0.0039uF 5% 50V
C504	1-136-164-00	FILM	0.082uF 5% 50V
C505	1-124-902-00	ELECT	0.47uF 20% 50V
C507-509	1-124-925-11	ELECT	2.2uF 20% 100V
C510	1-124-907-11	ELECT	10uF 20% 50V
C511	1-136-161-00	FILM	0.047uF 5% 50V
C521	1-124-994-11	ELECT	100uF 20% 10V
C522	1-124-994-11	ELECT	100uF 20% 10V
C531	1-126-022-11	ELECT	47uF 20% 25V
C532	1-126-022-11	ELECT	47uF 20% 25V
C534	1-124-903-11	ELECT	1uF 20% 50V
C535	1-124-907-11	ELECT	10uF 20% 50V
C536	1-124-907-11	ELECT	10uF 20% 50V
C542	1-124-907-11	ELECT	10uF 20% 50V
C543	1-124-907-11	ELECT	10uF 20% 50V
C563	1-162-217-31	CERAMIC	56PF 5% 50V

Ref. No.	Part No.	Description	Remark
C564	1-136-157-00	FILM	0.022uF 5% 50V
C565	1-162-217-31	CERAMIC	56PF 5% 50V
C566	1-124-925-11	ELECT	2.2uF 20% 100V
C583	1-124-907-11	ELECT	10uF 20% 50V
C584	1-124-477-11	ELECT	47uF 20% 25V
C585	1-124-477-11	ELECT	47uF 20% 25V
C586	1-136-593-11	FILM (K707ES, K711S)	0.0033uF 5% 100V
C586	1-136-253-11	FILM (K611S)	0.0018uF 5% 100V
C587	1-136-593-11	FILM (K707ES, K711S)	0.0033uF 5% 100V
C587	1-136-253-11	FILM (K611S)	0.0018uF 5% 100V
C588	1-130-955-00	FILM (K707ES, K711S)	0.01uF 5% 100V
C588	1-136-233-11	FILM (K611S)	0.0047uF 5% 100V
C589	1-136-177-00	FILM	1uF 5% 50V
C590	1-124-907-11	ELECT	10uF 20% 50V
C591	1-107-045-00	MICA	3.9PF 500V
C592	1-136-559-11	FILM (K707ES, K711S)	0.0047uF 5% 630V
C592	1-136-558-11	FILM (K611S)	0.0039uF 5% 630V
C593	1-124-907-11	ELECT	10uF 20% 50V
C594	1-124-907-11	ELECT	10uF 20% 50V
C701	1-162-294-31	CERAMIC	0.001uF 10% 50V
C702	1-162-294-31	CERAMIC	0.001uF 10% 50V
C703	1-124-902-00	ELECT	0.47uF 20% 50V
C704	1-164-159-11	CERAMIC	0.1uF 50V
C705	1-164-159-11	CERAMIC	0.1uF 50V
C707	1-126-923-11	ELECT	220uF 20% 10V
C708	1-124-477-11	ELECT	47uF 20% 25V
C709	1-124-907-11	ELECT	10uF 20% 50V
C710-713	1-164-159-11	CERAMIC	0.1uF 50V
C803	1-124-556-11	ELECT	2200uF 20% 16V
C804	1-124-556-11	ELECT	2200uF 20% 16V
C806	1-124-477-11	ELECT	47uF 20% 25V
C808	1-124-999-11	ELECT	2200uF 20% 10V
C809	1-124-999-11	ELECT	2200uF 20% 10V
C810	1-124-907-11	ELECT	10uF 20% 50V
C811	1-126-936-11	ELECT	3300uF 20% 16V
C813	1-124-907-11	ELECT	10uF 20% 50V
C814	1-126-916-11	ELECT	1000uF 20% 6.3V
C815	1-124-564-11	ELECT	4700uF 20% 25V
C816	1-124-907-11	ELECT	10uF 20% 50V
C817	1-126-768-11	ELECT	2200uF 20% 16V
C818	1-124-122-11	ELECT	100uF 20% 50V

MAIN

Ref. No.	Part No.	Description	Remark
C819	1-126-947-11	ELECT	47uF 20% 35V
C820	1-164-159-11	CERAMIC	0.1uF 50V
< CONNECTOR >			
* CN521	1-568-830-11	SOCKET, CONNECTOR	11P
* CN701	1-580-230-31	PIN, CONNECTOR (PC BOARD)	2P (EXCEPT E)
* CN801	1-568-841-11	SOCKET, CONNECTOR	25P
CN802	1-568-802-11	SOCKET, CONNECTOR	19P
* CND512	1-564-339-00	PIN, CONNECTOR	5P
* CND518	1-564-337-00	PIN, CONNECTOR	3P
* CND801	1-564-337-61	PIN, CONNECTOR	3P
* CNE501	1-564-521-11	PLUG, CONNECTOR	6P
* CNE522	1-564-505-41	PLUG, CONNECTOR	2P (K707ES, K711S)
* CNE701	1-564-506-11	PLUG, CONNECTOR	3P
* CNE702	1-564-505-11	PLUG, CONNECTOR	2P
* CNE801	1-564-513-11	PLUG, CONNECTOR	10P
* CNN515	1-560-062-00	PIN, CONNECTOR	4P
* CNN516	1-560-062-00	PIN, CONNECTOR	4P
* CNN517	1-560-061-00	PIN, CONNECTOR	3P (K707ES, K711S)
* CNN517	1-560-060-00	PIN, CONNECTOR	2P (K611S)
* CNP513	1-564-707-11	PIN, CONNECTOR (SMALL TYPE)	5P
* CNP514	1-564-707-11	PIN, CONNECTOR (SMALL TYPE)	5P
< DIODE >			
D101	8-719-987-63	DIODE	1N4148M
D102	8-719-987-63	DIODE	1N4148M
D201	8-719-987-63	DIODE	1N4148M
D202	8-719-987-63	DIODE	1N4148M
D501-517	8-719-987-63	DIODE	1N4148M
D518-521	8-719-107-94	DIODE	1SS202-1
D522	8-719-987-63	DIODE	1N4148M
D701-707	8-719-987-63	DIODE	1N4148M
D708	8-719-933-33	DIODE	HZS6A1L
D709	8-719-933-33	DIODE	HZS6A1L
D712-715	8-719-987-63	DIODE	1N4148M
D718	8-719-987-63	DIODE	1N4148M
D801-804	8-719-200-77	DIODE	10E2N
D805	8-719-933-33	DIODE	HZS6A1L
D806	8-719-933-33	DIODE	HZS6A1L
D807	8-719-987-63	DIODE	1N4148M
D812	8-719-987-63	DIODE	1N4148M
D813	8-719-200-31	DIODE	21DQ05
D814	8-719-000-78	DIODE	UZL-7L2
D815	8-719-987-63	DIODE	1N4148M

Ref. No.	Part No.	Description	Remark
D816	8-719-987-63	DIODE	1N4148M
D817	8-719-001-70	DIODE	UZL-12M1
D818	8-719-200-77	DIODE	10E2N
D819	8-719-200-77	DIODE	10E2N
D820	8-719-000-93	DIODE	UZL-7H1
D822	8-719-987-63	DIODE	1N4148M
D823	8-719-312-09	DIODE	RBA-402
< IC >			
IC501	8-752-059-55	IC	CXA1331S
IC502	8-759-000-49	IC	MC14066BCP
IC503	8-752-060-64	IC	CXA1198AP
IC504	8-759-106-56	IC	uPC1297CA
IC505	8-759-111-44	IC	uPC4570C-1
IC506	8-752-059-55	IC	CXA1331S
IC507	8-759-634-51	IC	M5218AP
IC508	8-759-145-58	IC	uPC4558C
IC509	8-759-145-58	IC	uPC4558C
IC510	8-759-634-50	IC	M5218AL
IC511	8-759-000-49	IC	MC14066BCP
IC512	8-759-000-49	IC	MC14066BCP
IC701	8-759-060-83	IC	M50941-728SP
IC702	8-759-240-69	IC	TC4069UBP
IC703	8-759-973-95	IC	BA6219B
IC704	8-759-822-09	IC	LB1641
IC801	8-759-145-58	IC	uPC4558C
< JACK >			
J501	1-573-070-11	JACK, PIN 4P (LINE IN/OUT)	(K707ES)
J501	1-565-258-11	JACK, PIN 4P (LINE IN/OUT)	(K711S, K611S)
J502	1-507-796-71	JACK (HEADPHONES)	
< COIL >			
L121	1-410-778-11	INDUCTOR	18mH
L141	1-410-780-11	INDUCTOR	27mH
L221	1-410-778-11	INDUCTOR	18mH
L241	1-410-780-11	INDUCTOR	27mH
< FILTER >			
LPF101	1-239-599-11	FILTER, LOW PASS	
LPF201	1-239-599-11	FILTER, LOW PASS	
< TRANSISTOR >			
Q101	8-729-142-25	TRANSISTOR	2SD1020-HFE
Q102	8-729-142-25	TRANSISTOR	2SD1020-HFE
Q103	8-729-900-74	TRANSISTOR	DTC143TS
Q104	8-729-900-80	TRANSISTOR	DTC114ES
Q201	8-729-142-25	TRANSISTOR	2SD1020-HFE

Ref. No.	Part No.	Description	Remark
Q202	8-729-142-25	TRANSISTOR 2SD1020-HFE	
Q203	8-729-900-74	TRANSISTOR DTC143TS	
Q204	8-729-900-80	TRANSISTOR DTC114ES	
Q501	8-729-620-05	TRANSISTOR 2SC2603-EF	
Q502	8-729-620-05	TRANSISTOR 2SC2603-EF	
Q503	8-729-922-37	TRANSISTOR 2SD2144S-UVW	
Q504	8-729-900-80	TRANSISTOR DTC114ES	
Q505	8-729-119-76	TRANSISTOR 2SA1175-HFE	
Q506	8-729-142-25	TRANSISTOR 2SD1020-HFE	
Q507	8-729-900-80	TRANSISTOR DTC114ES	
Q508	8-729-119-76	TRANSISTOR 2SA1175-HFE	
Q509	8-729-900-80	TRANSISTOR DTC114ES	
Q510	8-729-900-80	TRANSISTOR DTC114ES	
Q511	8-729-194-57	TRANSISTOR 2SC945-P	
Q512	8-729-194-57	TRANSISTOR 2SC945-P	
Q513-517			
	8-729-900-80	TRANSISTOR DTC114ES	
Q518	8-729-900-89	TRANSISTOR DTC144ES	
Q519	8-729-900-89	TRANSISTOR DTC144ES	
Q701-708			
	8-729-900-61	TRANSISTOR DTA114ES	
Q709	8-729-620-05	TRANSISTOR 2SC2603-EF	
Q710	8-729-900-80	TRANSISTOR DTC114ES	
Q711	8-729-900-65	TRANSISTOR DTA144ES	
Q712	8-729-900-80	TRANSISTOR DTC114ES	
Q713	8-729-900-65	TRANSISTOR DTA144ES	
Q714	8-729-620-05	TRANSISTOR 2SC2603-EF	
Q715	8-729-900-89	TRANSISTOR DTC144ES	
Q716	8-729-900-89	TRANSISTOR DTC144ES	
Q717-722			
	8-729-900-61	TRANSISTOR DTA114ES	
Q723	8-729-900-65	TRANSISTOR DTA144ES	
Q724	8-729-900-65	TRANSISTOR DTA144ES	
Q725	8-729-900-80	TRANSISTOR DTC114ES	
Q726	8-729-900-65	TRANSISTOR DTA144ES	
Q727	8-729-900-65	TRANSISTOR DTA144ES	
Q729	8-729-900-61	TRANSISTOR DTA114ES	
Q801	8-729-900-61	TRANSISTOR DTA114ES	
Q802	8-729-900-80	TRANSISTOR DTC114ES	
Q803	8-729-141-83	TRANSISTOR 2SB1094-LK	
Q804	8-729-209-15	TRANSISTOR 2SD2012	
Q805	8-729-209-15	TRANSISTOR 2SD2012	
Q806	8-729-620-05	TRANSISTOR 2SC2603-EF	
Q807	8-729-900-80	TRANSISTOR DTC114ES	
Q808	8-729-141-83	TRANSISTOR 2SB1094-LK	
Q809	8-729-620-05	TRANSISTOR 2SC2603-EF	
Q810	8-729-119-76	TRANSISTOR 2SA1175-HFE	
Q811	8-729-140-04	TRANSISTOR 2SB1116A-L	

Ref. No.	Part No.	Description	Remark
		< RESISTOR >	
R101	1-259-460-11	CARBON 22K 5%	1/6W
R104	1-259-440-11	CARBON 3.3K 5%	1/6W
R105	1-259-450-11	CARBON 8.2K 5%	1/6W
R106	1-259-461-11	CARBON 24K 5%	1/6W
R107	1-259-422-11	CARBON 560 5%	1/6W
R109	1-259-436-11	CARBON 2.2K 5%	1/6W
R110	1-259-436-11	CARBON 2.2K 5%	1/6W
R111	1-259-467-11	CARBON 43K 5%	1/6W
R112	1-259-428-11	CARBON 1K 5%	1/6W
R113	1-259-476-11	CARBON 100K 5%	1/6W
R115	1-259-436-11	CARBON 2.2K 5%	1/6W
R116	1-259-452-11	CARBON 10K 5%	1/6W
R117	1-259-452-11	CARBON 10K 5%	1/6W
R118	1-259-447-11	CARBON 6.2K 5%	1/6W
R119	1-259-456-11	CARBON 15K 5%	1/6W
R120	1-259-468-11	CARBON 47K 5%	1/6W
R121	1-259-466-11	CARBON 39K 5%	1/6W
		(K707ES)	
R121	1-259-476-11	CARBON 100K 5%	1/6W
		(K711S, K611S)	
R122	1-259-402-11	CARBON 82 5%	1/6W
R123	1-259-479-11	CARBON 130K 5%	1/6W
R124	1-259-446-11	CARBON 5.6K 5%	1/6W
R125	1-259-434-11	CARBON 1.8K 5%	1/6W
R126	1-259-435-11	CARBON 2K 5%	1/6W
R127	1-259-484-11	CARBON 220K 5%	1/6W
R134	1-259-461-11	CARBON 24K 5%	1/6W
R135	1-259-422-11	CARBON 560 5%	1/6W
R142	1-259-442-11	CARBON 3.9K 5%	1/6W
R143	1-259-440-11	CARBON 3.3K 5%	1/6W
R144	1-259-452-11	CARBON 10K 5%	1/6W
R145	1-259-436-11	CARBON 2.2K 5%	1/6W
R146	1-259-444-11	CARBON 4.7K 5%	1/6W
R147	1-259-444-11	CARBON 4.7K 5%	1/6W
R148	1-259-484-11	CARBON 220K 5%	1/6W
R151	1-259-460-11	CARBON 22K 5%	1/6W
R152	1-259-436-11	CARBON 2.2K 5%	1/6W
R153	1-259-459-11	CARBON 20K 5%	1/6W
R154	1-259-412-11	CARBON 220 5%	1/6W
R161	1-259-462-11	CARBON 27K 5%	1/6W
R162	1-259-471-11	CARBON 62K 5%	1/6W
R163	1-259-414-11	CARBON 270 5%	1/6W
R164	1-259-456-11	CARBON 15K 5%	1/6W
R165	1-259-431-11	CARBON 1.3K 5%	1/6W
R166	1-259-436-11	CARBON 2.2K 5%	1/6W
R167	1-259-458-11	CARBON 18K 5%	1/6W
R168	1-259-468-11	CARBON 47K 5%	1/6W

MAIN

Ref. No.	Part No.	Description		Remark
R181	1-259-450-11	CARBON (K707ES)	8. 2K 5%	1/6W
R181	1-259-446-11	CARBON (K711S, K611S)	5. 6K 5%	1/6W
R182	1-259-464-11	CARBON	33K 5%	1/6W
△R183	1-219-153-11	FUSIBLE	10 5%	1/4W F
R184	1-247-883-00	CARBON	150K 5%	1/4W
R201	1-259-460-11	CARBON	22K 5%	1/6W
R204	1-259-440-11	CARBON	3. 3K 5%	1/6W
R205	1-259-450-11	CARBON	8. 2K 5%	1/6W
R206	1-259-461-11	CARBON	24K 5%	1/6W
R207	1-259-422-11	CARBON	560 5%	1/6W
R209	1-259-436-11	CARBON	2. 2K 5%	1/6W
R210	1-259-436-11	CARBON	2. 2K 5%	1/6W
R211	1-259-467-11	CARBON	43K 5%	1/6W
R212	1-259-428-11	CARBON	1K 5%	1/6W
R213	1-259-476-11	CARBON	100K 5%	1/6W
R215	1-259-436-11	CARBON	2. 2K 5%	1/6W
R216	1-259-452-11	CARBON	10K 5%	1/6W
R217	1-259-452-11	CARBON	10K 5%	1/6W
R218	1-259-447-11	CARBON	6. 2K 5%	1/6W
R219	1-259-456-11	CARBON	15K 5%	1/6W
R220	1-259-468-11	CARBON	47K 5%	1/6W
R221	1-259-466-11	CARBON (K707ES)	39K 5%	1/6W
R221	1-259-476-11	CARBON (K711S, K611S)	100K 5%	1/6W
R222	1-259-402-11	CARBON	82 5%	1/6W
R223	1-259-479-11	CARBON	130K 5%	1/6W
R224	1-259-446-11	CARBON	5. 6K 5%	1/6W
R225	1-259-434-11	CARBON	1. 8K 5%	1/6W
R226	1-259-435-11	CARBON	2K 5%	1/6W
R227	1-259-484-11	CARBON	220K 5%	1/6W
R234	1-259-461-11	CARBON	24K 5%	1/6W
R235	1-259-422-11	CARBON	560 5%	1/6W
R242	1-259-442-11	CARBON	3. 9K 5%	1/6W
R243	1-259-440-11	CARBON	3. 3K 5%	1/6W
R244	1-259-452-11	CARBON	10K 5%	1/6W
R245	1-259-436-11	CARBON	2. 2K 5%	1/6W
R246	1-259-444-11	CARBON	4. 7K 5%	1/6W
R247	1-259-444-11	CARBON	4. 7K 5%	1/6W
R248	1-259-484-11	CARBON	220K 5%	1/6W
R251	1-259-460-11	CARBON	22K 5%	1/6W
R252	1-259-436-11	CARBON	2. 2K 5%	1/6W
R253	1-259-459-11	CARBON	20K 5%	1/6W
R254	1-259-412-11	CARBON	220 5%	1/6W
R261	1-259-462-11	CARBON	27K 5%	1/6W
R262	1-259-471-11	CARBON	62K 5%	1/6W
R263	1-259-414-11	CARBON	270 5%	1/6W

Ref. No.	Part No.	Description		Remark
R264	1-259-456-11	CARBON	15K 5%	1/6W
R265	1-259-431-11	CARBON	1. 3K 5%	1/6W
R266	1-259-436-11	CARBON	2. 2K 5%	1/6W
R267	1-259-458-11	CARBON	18K 5%	1/6W
R268	1-259-468-11	CARBON	47K 5%	1/6W
R281	1-259-450-11	CARBON (K707ES)	8. 2K 5%	1/6W
R281	1-259-446-11	CARBON (K711S, K611S)	5. 6K 5%	1/6W
R282	1-259-464-11	CARBON	33K 5%	1/6W
△R283	1-219-153-11	FUSIBLE	10 5%	1/4W F
R284	1-247-883-00	CARBON	150K 5%	1/4W
R501	1-249-417-11	CARBON	1K 5%	1/4W F
R502	1-215-455-00	METAL	27K 1%	1/6W
R504	1-249-413-11	CARBON (K611S)	470 5%	1/4W F
R505	1-249-427-11	CARBON	6. 8K 5%	1/4W F
R506	1-249-381-11	CARBON (K707ES, K711S)	1 5%	1/4W F
R507	1-247-848-11	CARBON	5. 1K 5%	1/4W
R508	1-249-433-11	CARBON	22K 5%	1/4W
R509	1-249-436-11	CARBON	39K 5%	1/4W
R510	1-249-421-11	CARBON	2. 2K 5%	1/4W F
R511	1-249-421-11	CARBON	2. 2K 5%	1/4W F
R512	1-249-441-11	CARBON	100K 5%	1/4W
R513	1-249-441-11	CARBON	100K 5%	1/4W
R514	1-247-836-11	CARBON	1. 6K 5%	1/4W
R516	1-249-437-11	CARBON	47K 5%	1/4W
R517	1-249-433-11	CARBON	22K 5%	1/4W
R518	1-249-427-11	CARBON	6. 8K 5%	1/4W F
R519	1-249-437-11	CARBON	47K 5%	1/4W
R520	1-249-434-11	CARBON	27K 5%	1/4W
R521	1-247-704-11	CARBON	220 5%	1/4W
R522	1-247-704-11	CARBON	220 5%	1/4W
R523-525				
	1-249-429-11	CARBON	10K 5%	1/4W
R526	1-249-422-11	CARBON	2. 7K 5%	1/4W F
R527	1-249-437-11	CARBON	47K 5%	1/4W
R528	1-249-441-11	CARBON	100K 5%	1/4W
R529	1-249-431-11	CARBON	15K 5%	1/4W
R531	1-249-417-11	CARBON	1K 5%	1/4W F
R532	1-215-455-00	METAL	27K 1%	1/6W
R533	1-249-437-11	CARBON	47K 5%	1/4W
R534	1-249-441-11	CARBON	100K 5%	1/4W
R535	1-215-454-00	METAL	24K 1%	1/6W
R563	1-249-441-11	CARBON	100K 5%	1/4W
R564	1-249-429-11	CARBON	10K 5%	1/4W
R565	1-249-441-11	CARBON	100K 5%	1/4W
R566	1-249-428-11	CARBON	8. 2K 5%	1/4W F
R567	1-249-441-11	CARBON	100K 5%	1/4W

The components identified by mark △ or dotted line with mark. △ are critical for safety. Replace only with part number specified.

Les composants identifiés par une marque △ sont critiques pour la sécurité. Ne les remplacer que par une pièce portant le numéro spécifié.

Ref. No.	Part No.	Description	Remark
R568	1-249-423-11	CARBON	3. 3K 5% 1/4W F
R569	1-249-441-11	CARBON	100K 5% 1/4W
R570	1-249-429-11	CARBON	10K 5% 1/4W
R571	1-249-429-11	CARBON	10K 5% 1/4W
R572	1-249-417-11	CARBON	1K 5% 1/4W F
R581	1-249-429-11	CARBON	10K 5% 1/4W
R582	1-249-429-11	CARBON	10K 5% 1/4W
R583	1-249-414-11	CARBON (K707ES)	560 5% 1/4W F
R583	1-247-822-11	CARBON (K711S, K611S)	430 5% 1/4W
R584	1-249-417-11	CARBON	1K 5% 1/4W F
R585	1-249-433-11	CARBON (K707ES)	22K 5% 1/4W
R585	1-247-862-11	CARBON (K711S, K611S)	20K 5% 1/4W
R586	1-249-417-11	CARBON	1K 5% 1/4W F
R587	1-249-436-11	CARBON (K707ES, K711S)	39K 5% 1/4W
R587	1-249-440-11	CARBON	82K 5% 1/4W (K611S)
R588	1-249-436-11	CARBON (K707ES, K711S)	39K 5% 1/4W
R588	1-249-440-11	CARBON	82K 5% 1/4W (K611S)
R589	1-249-391-11	CARBON (K707ES, K711S)	6. 8 5% 1/4W F
R589	1-249-390-11	CARBON (K611S)	5. 6 5% 1/6W F
R590	1-249-391-11	CARBON (K707ES, K711S)	6. 8 5% 1/4W F
R590	1-249-390-11	CARBON (K611S)	5. 6 5% 1/6W F
R591	1-249-421-11	CARBON	2. 2K 5% 1/4W F
R593	1-249-435-11	CARBON	33K 5% 1/4W
R594	1-249-420-11	CARBON	1. 8K 5% 1/4W F
R601	1-247-878-00	CARBON (K707ES)	91K 5% 1/4W
R601	1-249-439-11	CARBON (K711S, K611S)	68K 5% 1/4W
R602	1-249-435-11	CARBON	33K 5% 1/4W
R603	1-247-878-00	CARBON (K707ES)	91K 5% 1/4W
R603	1-249-437-11	CARBON (K711S, K611S)	47K 5% 1/4W
R604	1-247-876-11	CARBON (K707ES)	75K 5% 1/4W
R604	1-247-874-11	CARBON (K711S, K611S)	62K 5% 1/4W
R605	1-249-439-11	CARBON (K707ES)	68K 5% 1/4W
R605	1-249-441-11	CARBON (K711S, K611S)	100K 5% 1/4W
R606	1-249-433-11	CARBON	22K 5% 1/4W

Ref. No.	Part No.	Description	Remark
R607	1-247-874-11	CARBON	62K 5% 1/4W
R608	1-249-437-11	CARBON	47K 5% 1/4W
R609	1-247-882-11	CARBON (K707ES)	130K 5% 1/4W
R609	1-247-880-11	CARBON (K711S, K611S)	110K 5% 1/4W
R610	1-247-876-11	CARBON (K707ES)	75K 5% 1/4W
R610	1-247-878-00	CARBON (K711S, K611S)	91K 5% 1/4W
R611	1-249-438-11	CARBON (K707ES)	56K 5% 1/4W
R611	1-249-439-11	CARBON (K711S, K611S)	68K 5% 1/4W
R612	1-247-887-00	CARBON	220K 5% 1/4W
R613	1-247-876-11	CARBON (K707ES)	75K 5% 1/4W
R613	1-249-439-11	CARBON (K711S, K611S)	68K 5% 1/4W
R614	1-247-872-11	CARBON	51K 5% 1/4W
R616	1-249-437-11	CARBON (K707ES)	47K 5% 1/4W
R616	1-247-874-11	CARBON (K711S, K611S)	62K 5% 1/4W
R617	1-249-440-11	CARBON (K707ES)	82K 5% 1/4W
R617	1-247-874-11	CARBON (K711S, K611S)	62K 5% 1/4W
R618	1-247-883-00	CARBON (K707ES)	150K 5% 1/4W
R618	1-247-886-11	CARBON (K711S, K611S)	200K 5% 1/4W
R619	1-249-435-11	CARBON	33K 5% 1/4W
R701	1-247-887-00	CARBON	220K 5% 1/4W
R702	1-247-887-00	CARBON	220K 5% 1/4W
R703	1-249-436-11	CARBON	39K 5% 1/4W
R704	1-247-887-00	CARBON	220K 5% 1/4W
R705	1-249-436-11	CARBON	39K 5% 1/4W
R706	1-247-887-00	CARBON	220K 5% 1/4W
R707	1-249-431-11	CARBON	15K 5% 1/4W
R708	1-247-868-11	CARBON	36K 5% 1/4W
R709	1-249-435-11	CARBON	33K 5% 1/4W
R710	1-249-435-11	CARBON	33K 5% 1/4W
R711	1-247-872-11	CARBON	51K 5% 1/4W
R712-717	1-249-435-11	CARBON	33K 5% 1/4W
R719	1-249-429-11	CARBON	10K 5% 1/4W
△R720	1-212-954-11	FUSIBLE	6. 8 5% 1/2W F
R721	1-249-429-11	CARBON	10K 5% 1/4W
R722	1-249-431-11	CARBON	15K 5% 1/4W
R723	1-247-834-11	CARBON	1. 3K 5% 1/4W

The components identified by mark △ or dotted line with mark △ are critical for safety. Replace only with part number specified.	Les composants identifiés par une marque △ sont critiques pour la sécurité. Ne les remplacer que par une pièce portant le numéro spécifié.
--	--

Ref. No.	Part No.	Description	Remark
R724	1-249-424-11	CARBON	3. 9K 5% 1/4W F
R725	1-247-834-11	CARBON	1. 3K 5% 1/4W
R726	1-249-427-11	CARBON	6. 8K 5% 1/4W F
R727	1-249-430-11	CARBON	12K 5% 1/4W
△R728	1-212-952-00	FUSIBLE	5. 6 5% 1/2W F
R729	1-249-435-11	CARBON	33K 5% 1/4W
R730	1-249-435-11	CARBON	33K 5% 1/4W
R731	1-249-425-11	CARBON	4. 7K 5% 1/4W F
R732	1-249-417-11	CARBON	1K 5% 1/4W F
R733	1-247-903-00	CARBON	1M 5% 1/4W
R735	1-249-421-11	CARBON	2. 2K 5% 1/4W F
△R736	1-212-942-00	FUSIBLE	2. 2 5% 1/2W F
R737-739			
	1-249-429-11	CARBON	10K 5% 1/4W
R740	1-249-425-11	CARBON	4. 7K 5% 1/4W F
R742-744			
	1-249-441-11	CARBON	100K 5% 1/4W
R745	1-249-432-11	CARBON	18K 5% 1/4W
R746-748			
	1-249-429-11	CARBON	10K 5% 1/4W
R752-754			
	1-249-441-11	CARBON	100K 5% 1/4W
R799	1-249-405-11	CARBON	100 5% 1/4W F
R802	1-249-425-11	CARBON	4. 7K 5% 1/4W F
R803	1-249-420-11	CARBON	1. 8K 5% 1/4W F
R804	1-249-412-11	CARBON	390 5% 1/4W F
R805	1-249-427-11	CARBON	6. 8K 5% 1/4W F
R806	1-249-419-11	CARBON	1. 5K 5% 1/4W F
R807	1-249-429-11	CARBON	10K 5% 1/4W
R808	1-249-419-11	CARBON	1. 5K 5% 1/4W F
R809	1-249-425-11	CARBON	4. 7K 5% 1/4W F
R810	1-249-409-11	CARBON	220 5% 1/4W F
R811	1-249-417-11	CARBON	1K 5% 1/4W F
R812	1-249-427-11	CARBON	6. 8K 5% 1/4W F
R813	1-249-427-11	CARBON	6. 8K 5% 1/4W F
R814	1-249-417-11	CARBON	1K 5% 1/4W F
R815-817			
	1-249-425-11	CARBON	4. 7K 5% 1/4W F
R818	1-249-433-11	CARBON	22K 5% 1/4W
R819	1-249-436-11	CARBON	39K 5% 1/4W
R820	1-249-429-11	CARBON	10K 5% 1/4W
R821	1-249-437-11	CARBON	47K 5% 1/4W
△R825	1-219-135-11	FUSIBLE	0. 15 10% 1/4W F
△R826	1-219-137-11	FUSIBLE	0. 33 10% 1/4W F
< VARIABLE RESISTOR >			
RV121	1-241-629-11	RES, ADJ, CARBON 4. 7K	
RV141	1-241-631-11	RES, ADJ, CARBON 22K	
RV142	1-238-019-11	RES, ADJ, CARBON 47K	
RV181	1-241-631-11	RES, ADJ, CARBON 22K	

Ref. No.	Part No.	Description	Remark
RV221	1-241-629-11	RES, ADJ, CARBON 4. 7K	
RV241	1-241-631-11	RES, ADJ, CARBON 22K	
RV242	1-238-019-11	RES, ADJ, CARBON 47K	
RV281	1-241-631-11	RES, ADJ, CARBON 22K	
RV501	1-223-328-11	RES, VAR, CARBON 50K/50K (REC LEVEL)	
RV502	1-223-331-11	RES, VAR, CARBON 50K/50K (BALANCE)	
RV504	1-241-629-11	RES, ADJ, CARBON 4. 7K (K707ES/K711S)	
RV505	1-223-330-11	RES, VAR, CARBON 20K/20K (PHONE LEVEL)	
RV508	1-238-021-11	RES, ADJ, CARBON 220K (K707ES)	
RV508	1-223-387-21	RES, ADJ, CARBON 330K (K711S, K611S)	
< TRANSFORMER >			
T181	1-433-344-11	TRANSFORMER, BIAS OSCILLATION	
T281	1-433-344-11	TRANSFORMER, BIAS OSCILLATION	
T501	1-433-380-11	TRANSFORMER, BIAS OSCILLATION (K707ES, K711S)	
T501	1-423-621-11	TRANSFORMER, BIAS OSCILLATION (K611S)	
< TEST PIN >			
* TP581	1-564-506-11	PLUG, CONNECTOR 3P	
< VIBRATOR >			
X701	1-577-359-21	VIBRATOR, CERAMIC (4. 19MHz)	

* 1-632-740-11	MD BOARD		

3-356-631-01	HOLDER (SENSOR)		
< CONNECTOR >			
CN1001	1-506-615-11	PIN, CONNECTOR 9P	
CN1002	1-564-501-11	PIN, CONNECTOR 8P	
< IC >			
IC1001	8-749-920-97	DIODE GP2S22B	
IC1002	8-749-920-97	DIODE GP2S22B	
< RESISTOR >			
R1001	1-249-408-11	CARBON 180 5% 1/4W F	
R1002	1-249-408-11	CARBON 180 5% 1/4W F	
< SWITCH >			
S1002	1-570-953-11	SWITCH, PUSH (1 KEY) (DOOR)	
S1003	1-571-958-11	SWITCH, PUSH (1 KEY) (CLOSE)	
S1004	1-572-126-11	SWITCH, PUSH (1 KEY) (OPEN)	
S1005	1-572-125-11	SWITCH, LEAF (FWD)	
S1006	1-572-202-11	SWITCH, LEAF (HALF)	
S1007	1-572-125-11	SWITCH, LEAF (METAL)	

<p>The components identified by mark △ or dotted line with mark. △ are critical for safety. Replace only with part number specified.</p>	<p>Les composants identifiés par une marque △ sont critiques pour la sécurité. Ne les remplacer que par une pièce portant le numéro spécifié.</p>
--	---

MD

PANEL

REEL MOTOR

Ref. No.	Part No.	Description	Remark
S1008	1-572-125-11	SWITCH, LEAF (70)	
		< TERMINAL >	
* TB1001	1-694-018-11	TERMINAL (5P)	

*	A-2006-964-A	PANEL BOARD, COMPLETE	

*	3-386-245-01	HOLDER (FL)	
		< CONNECTOR >	
* CN520	1-568-830-11	SOCKET, CONNECTOR 11P	
* CN901	1-568-841-11	SOCKET, CONNECTOR 25P	
CN902	1-568-802-11	SOCKET, CONNECTOR 19P	
		< DIODE >	
D751	8-719-987-63	DIODE 1N4148M	
D752	8-719-987-63	DIODE 1N4148M	
		< FLUORESCENT INDICATOR >	
FLT751	1-517-163-11	INDICATOR TUBE, FLUORESCENT	
		< IC >	
IC751	8-741-100-48	IC SBX1610-59	
		< RESISTOR >	
R141	1-259-444-11	CARBON 4.7K 5% 1/6W	
R241	1-259-444-11	CARBON 4.7K 5% 1/6W	
R592	1-249-429-11	CARBON 10K 5% 1/4W	
R749	1-247-862-11	CARBON 20K 5% 1/4W	
R750	1-247-866-11	CARBON 30K 5% 1/4W	
R751	1-249-441-11	CARBON 100K 5% 1/4W	
R755-758			
	1-249-441-11	CARBON 100K 5% 1/4W	
R759	1-247-838-00	CARBON 2K 5% 1/4W	
R760	1-249-422-11	CARBON 2.7K 5% 1/4W F	
R761	1-249-426-11	CARBON 5.6K 5% 1/4W	
R762	1-247-856-00	CARBON 11K 5% 1/4W	
R763	1-247-838-00	CARBON 2K 5% 1/4W	
R764	1-247-866-11	CARBON 30K 5% 1/4W	
R766	1-247-838-00	CARBON 2K 5% 1/4W	
R768	1-247-852-11	CARBON 7.5K 5% 1/4W	
R769	1-247-856-00	CARBON 11K 5% 1/4W	
R770	1-249-441-11	CARBON 100K 5% 1/4W	
R790	1-249-441-11	CARBON 100K 5% 1/4W	

Ref. No.	Part No.	Description	Remark
		< VARIABLE RESISTOR >	
RV503	1-223-329-11	RES, VAR, CARBON 5K/5K (REC LEVEL)	
RV506	1-223-327-11	RES, VAR, CARBON 10K (BIAS)	
		< SWITCH >	
S501	1-692-410-11	SWITCH, ROTARY (DOLBY NR)	
S502	1-571-305-11	SWITCH, PUSH (1 KEY) (MIX FILTER)	
S701	1-692-478-11	SWITCH, SLIDE (TIMER)	
S751	1-554-303-21	SWITCH, TACTILE (△ OPEN/CLOSE)	
S752	1-554-303-21	SWITCH, TACTILE (■)	
S753	1-554-303-21	SWITCH, TACTILE (◀)	
S754	1-554-303-21	SWITCH, TACTILE (▶)	
S755	1-554-303-21	SWITCH, TACTILE (●)	
S756	1-554-303-21	SWITCH, TACTILE (▷)	
S757	1-554-303-21	SWITCH, TACTILE (▨)	
S758	1-554-303-21	SWITCH, TACTILE (○)	
S759	1-554-303-21	SWITCH, TACTILE (RESET)	
S760	1-554-303-21	SWITCH, TACTILE (MEMORY)	
S762	1-554-303-21	SWITCH, TACTILE (MONITOR)	
S763	1-554-303-21	SWITCH, TACTILE (CALIBRATION)	
S801	1-692-409-11	SWITCH, PUSH (1 KEY) (POWER)	

*	1-632-741-11	REEL MOTOR BOARD	

		< CAPACITOR >	
C1051	1-124-907-11	ELECT 10uF 20% 50V	
C1052	1-124-907-11	ELECT 10uF 20% 50V	
C1053	1-164-159-11	CERAMIC 0.1uF 50V	
		< CONNECTOR >	
* CN1051	1-564-499-11	PIN, CONNECTOR 6P	
* CN1052	1-564-718-11	PIN, CONNECTOR (SMALL TYPE) 2P	
* CN1053	1-564-718-11	PIN, CONNECTOR (SMALL TYPE) 2P	
		< RESISTOR >	
R1051	1-249-414-11	CARBON 560 5% 1/4W F	

TC-K611S/K707ES/K711S

Ref. No.	Part No.	Description	Remark
MISCELLANEOUS *****			
	16	1-690-893-11 WIRE (FLAT TYPE) (19 CORE)	
	17	1-751-258-11 WIRE (FLAT TYPE) (25 CORE)	
	18	1-534-517-00 WIRE, FLAT TYPE (11 CORE)	
	△57	1-551-188-XX CORD, POWER (E)	
	△57	1-558-945-21 CORD, POWER (POLAR. SPT-1) (US, Canadian)	
	△61	1-696-845-11 CORD, POWER (AUS)	
	△62	1-696-586-11 CORD, POWER (UK)	
	△64	1-569-007-11 ADAPTER, CONVERSION 2P (E)	
	△65	1-575-651-21 CORD, POWER (AEP, G)	
	* 225	1-608-268-00 ERASE HEAD BOARD (K707ES, K711S)	
	D1051	8-719-980-85 DIODE SLF325C	
	HE1001	1-543-673-11 HEAD, MAGNETIC (ERASE) (K611S)	
	HE1001	1-543-836-11 HEAD, MAGNETIC (ERASE) (K707ES, K711S)	
	HRP10011-543-733-11	HEAD, MAGNETIC (RECORD/PLAYBACK) (K611S)	
	HRP10011-543-834-11	HEAD, MAGNETIC (REC/PB) (K711S)	
	HRP10011-543-835-11	HEAD, MAGNETIC (REC PB) (K707ES)	
	M1051	X-3356-638-1 MOTOR (REEL R) ASSY	
	M1052	X-3356-604-1 MOTOR (ASSIST) ASSY	
	M1053	X-3356-635-1 MOTOR (CAPSTAN R2) ASSY (K707ES, K711S)	
	M1053	X-3356-646-1 MOTOR (CAPSTAN V1) ASSY (K611S)	
	△PT901	1-423-475-11 TRANSFORMER, POWER (US, Canadian)	
	△PT901	1-423-476-11 TRANSFORMER, POWER (AEP, UK, G, AUS)	
	△PT901	1-423-533-11 TRANSFORMER, POWER (E)	
	S1001	1-466-238-11 ENCODER, ROTARY	
	△VS1	1-692-155-11 SELECTOR, POWER VOLTAGE (VOLTAGE) (E)	

Ref. No.	Part No.	Description	Remark
ACCESSORIES & PACKING MATERIALS *****			
		1-558-271-11 CORD, CONNECTION	
		1-696-170-11 CORD, CONNECTION	
	*	3-350-830-01 CUSHION	
	*	3-388-323-11 INDIVIDUAL CARTON (K707ES)	
	*	3-388-323-21 INDIVIDUAL CARTON (K711S)	
	*	3-388-323-31 INDIVIDUAL CARTON (K611S)	
		3-756-292-11 MANUAL, INSTRUCTION (ENGLISH, FRENCH, SPANISH, CHINESE) (K707ES: Canadian, E)	
		3-756-292-21 MANUAL, INSTRUCTION (ENGLISH) (K707ES: US, AUS)	
		3-756-293-11 MANUAL, INSTRUCTION (ENGLISH, FRENCH, SPANISH, PORTUGUESE) (K711S: AEP/K611S: Canadian, AEP)	
		3-756-293-21 MANUAL, INSTRUCTION (ENGLISH) (K611S: US, UK, AUS)	
		3-756-293-41 MANUAL, INSTRUCTION (GERMAN, DUTCH, SWEDISH, ITALIAN) (K711S: AEP/K611S: AEP)	
		3-756-293-51 MANUAL, INSTRUCTION (GERMAN) (K711S: G/K611S: G)	
		3-756-293-61 MANUAL, INSTRUCTION (DANISH, FINNISH) (K611S: AEP)	

***** HARDWARE LIST *****

#1	7-621-255-20	SCREW +BVTT 2X4 (S)
#2	7-621-255-35	SCREW +BVTT 2X5 (S)
#3	7-621-772-18	SCREW +B 2X4 (K707ES, K711S)
#4	7-621-772-20	SCREW +B 2X5 (K611S)
#5	7-621-772-70	SCREW +B 2X14 (K707ES, K711S)
#6	7-621-773-86	SCREW +B 2. 6X4 (K707ES)
#6	7-621-775-10	SCREW +B 2. 6X4 (K711S)
#7	7-685-871-01	SCREW +BVTT 3X6 (S)
#8	7-621-849-00	SCREW (BV/RING)
#9	7-622-205-05	NUT M2 TYPE2 (K707ES, K711S)
#10	7-628-253-00	SCREW +PS 2X4 (K707ES, K711S)
#11	7-671-154-01	STENLESS BALL (K707ES, K711S)
#12	7-682-547-09	SCREW +BVTT 3X6 (S) (K707ES: US, Canadian, E, K711S, K611S)
#13	7-682-548-09	SCREW +BVTT 3X8 (S)
#14	7-682-647-01	SCREW +PS 3X6 (K707ES, K711S)
#15	7-685-133-19	SCREW +BTP 2. 6X6 TYPE2 N-S
#16	7-685-532-19	SCREW +BTP 2. 6X5 TYPE2 N-S (K611S)
#17	7-685-534-19	SCREW +BTP 2. 6X8 TYPE2 N-S
#18	7-685-646-79	SCREW +BVTP 3X8 TYPE2 N-S (K707ES: E)
#19	7-685-870-01	SCREW +BVTT 3X5 (S) (K707ES, K711S)

The components identified by mark △ or dotted line with mark △ are critical for safety. Replace only with part number specified.

Les composants identifiés par une marque △ sont critiques pour la sécurité. Ne les remplacer que par une pièce portant le numéro spécifié.